


<p>3U SOSA™ Aligned VPX BACKPLANE 5 Slots with Rear I/O</p>	<p>VITA 46 VITA 65 SOSA</p>	
---	--	--

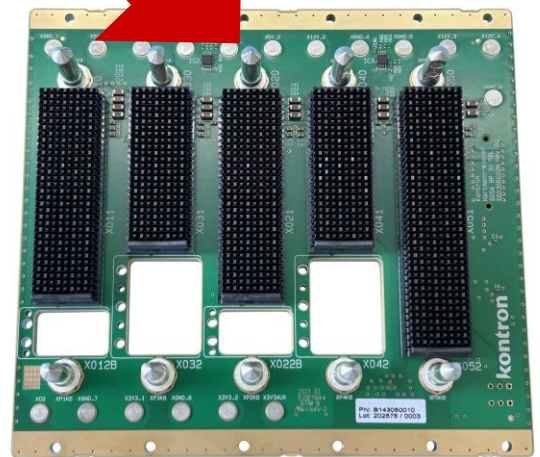
Key Features:

- High speed design for 100 Gbit/s Ethernet (100GBase-KR4)
- Featuring TE Connectivity **MULTIGIG RT 3 connectors**
- Compliant to **Sensor Open Systems Architecture**
- 5 Slots VPX: 1 Switch, 4 Payload Slots
- Payload slots can optionally be equipped with modules
- Configuration Data Plane: Double Star (1x FP, 1x UTP)
- Configuration Control Plane: Single Star (1x UTP)
- Extension Plane: (QFP Slot 1-> Slot3, DFP Slot 2->Slot 4)
- Slot Profiles Compliant to VITA 65
- Compliant to VITA 46.0 baseline specification
- M3 studs for power entry
- PCB size 128.5mm x 141.1mm x 5.4 mm
- 5 HP from slot to slot (25.40 mm)
- Flexible keying and alignment mechanism
- With geographical address pins
- With JTAG connector on first slot (XJT1)
- System Management Interface on the backplane (I2C⁺ 1200)
- Non-Volatile Memory Read Only signal set by Jumper
- Max. Input current per backplane
VS1:VS2:VS3 = 120A : 60A : 60A
- Operating temperature: -40° - +85°C
- Storage temperature: -55°C - +85°C
- Flammability rating: UL94-V0
- Custom assembly or modification on request

Order Number: B143050010

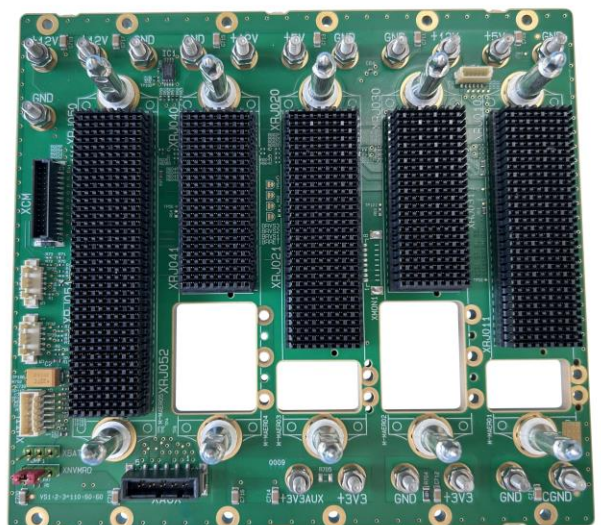


Front side



Standard backplane B143050010 without modules as shown in the drawing.

Rear side



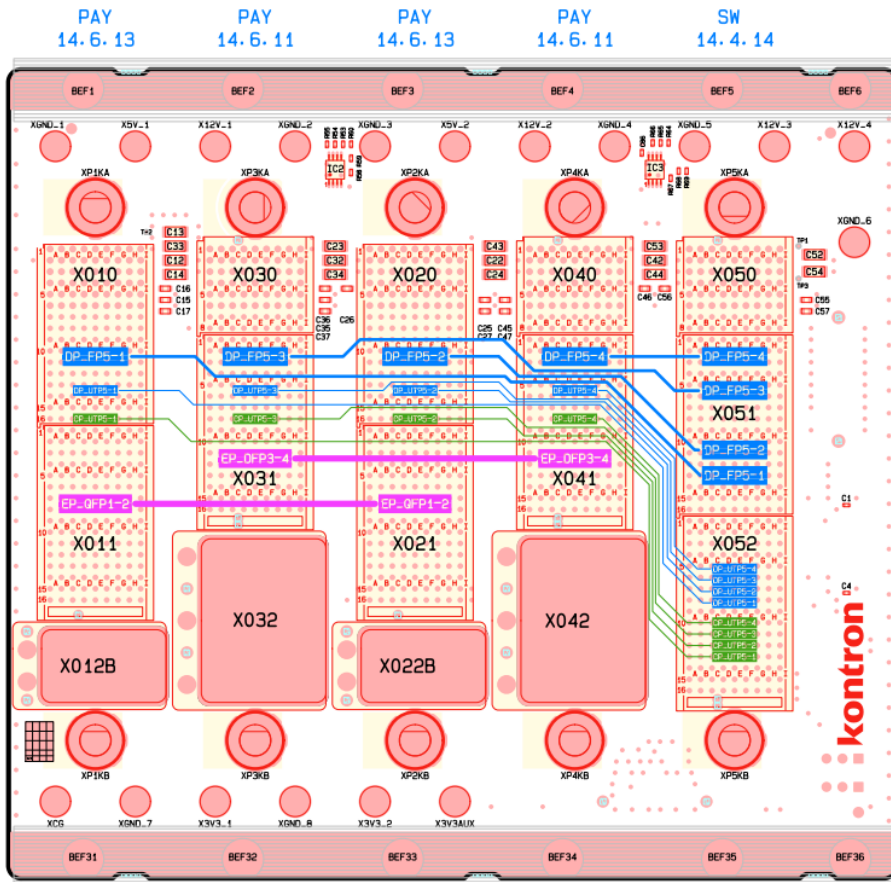
**3U SOSA™ Aligned
VPX BACKPLANE
5 Slots with Rear I/O**

**VITA 46
VITA 65
SOSA**



Topology: 5-Slot (1 Switch, 4 Payload Slots)

- Profile Slot 1: SLT3-PAY-1F1U1S1S1U1U4F1J-14.6.13-n
- Profile Slot 2: SLT3-PAY-1F1U1S1S1U1U2F1H-14.6.11-n
- Profile Slot 3: SLT3-PAY-1F1U1S1S1U1U4F1J-14.6.13-n
- Profile Slot 4: SLT3-PAY-1F1U1S1S1U1U2F1H-14.6.11-n
- Profile Slot 5: SLT3-SWH-6F1U7U-14.4.14-n



Germany

Kontron Hartmann Wiener GmbH
Phone: +49 711 13 98 90
Fax: +49 711 8 66 11 91
vertrieb.he@kontron.com
<https://www.kontron.com/kontron-hartmann-wiener>

USA

Kontron America Inc.
Fabian Hemmann
Phone: +1 937-324-2420
Mobile: +1 937 346 7878
fabian.hemmann@us.kontron.com
<https://www.kontron.com/kontron-hartmann-wiener>

France

Kontron Modular Computers S.A.S.
Serge Pichat
Phone: +33 (0)9 66 44 03 15
Mobile: +33 (0)6 82 62 16 00
Serge.pichat@kontron.com
<https://www.kontron.com/kontron-hartmann-wiener>

UK

Kontron UK Ltd
Andy Clark
Phone: +44 1243 533900
andy.clark@kontron.com
www.kontron.com
www.industrial-computers.com

All data is for information purposes only and not guaranteed for legal purposes. Information has been carefully checked and is believed to be accurate; however, no responsibility is assumed for inaccuracies. Specifications are subject to change without notice.