



Display type: LG.Philips LM201U03 or LM201U04
 Inverter type: Frontek FIF-2066-31A
 Cable no.: not available
 System: ADD-LVDS (-/OEM) on 886LCD/ATX family or similar
 886LCD-M family

ADD-LVDS, BIOS X203 -, XU203D -, XGE- UXGA2P24S, SW1(1,2,3,4,5,6)= (off,on,x,x,x,x)
 ADD-LVDS (-/OEM): BIOS X203, XU203D, XGE, SW1(1,2,3,4,5,6)= (off,on,on,off,on,on)

Display 30-pole		ADD-LVDS 34-pole	886LCD/Flex 40-pole	Function	Power system see page 2	Remarks
Pin #	Function	Pin #	Pin #			
1	VDD	-	-	-	Disp-VDD	Range 17 – 19V (Actual 18V)
2	VDD	-	-	-	Disp-VDD	
3	VDD	-	-	-	Disp-VDD	
4	VDD	-	-	-	Disp-VDD	
5	VSS	19,20,31,32	6,8,16,27,28,39,40	GND	Disp-GND	
6	VSS	19,20,31,32	6,8,16,27,28,39,40	GND	Disp-GND	
7	SR3P	10	38	A7+	-	Pair no 10
8	SR3M	9	37	A7-	-	Pair no 10
9	SCLKINP	12	36	CLK2+	-	Pair no 9
10	SCLKINM	11	35	CLK2-	-	Pair no 9
11	SR2P	14	34	A6+	-	Pair no 8
12	SR2M	13	33	A6-	-	Pair no 8
13	SR1P	16	32	A5+	-	Pair no 7
14	SR1M	15	31	A5-	-	Pair no 7
15	SR0P	18	30	A4+	-	Pair no 6
16	SR0M	17	29	A4-	-	Pair no 6
17	VSS	19,20,31,32	6,8,16,27,28,39,40	GND	Disp-GND	
18	VSS	19,20,31,32	6,8,16,27,28,39,40	GND	Disp-GND	
19	FR3P	22	26	A3+	-	Pair no 5
20	FR3M	21	25	A3-	-	Pair no 5
21	FCLKINP	24	24	CLK1+	-	Pair no 4
22	FCLKINM	23	23	CLK1-	-	Pair no 4
23	FR2P	26	22	A2+	-	Pair no 3
24	FR2M	25	21	A2-	-	Pair no 3
25	FR1P	28	20	A1+	-	Pair no 2
26	FR1M	27	19	A1-	-	Pair no 2
27	FR0P	30	18	A0+	-	Pair no 1
28	FR0M	29	17	A0-	-	Pair no 1
29	VSS	19,20,31,32	6,8,16,27,28,39,40	GND	Disp-GND	
30	VSS	19,20,31,32	6,8,16,27,28,39,40	GND	Disp-GND	
-	-	34	9	LCD-VCC	LCD-VCC	To Relay coil +

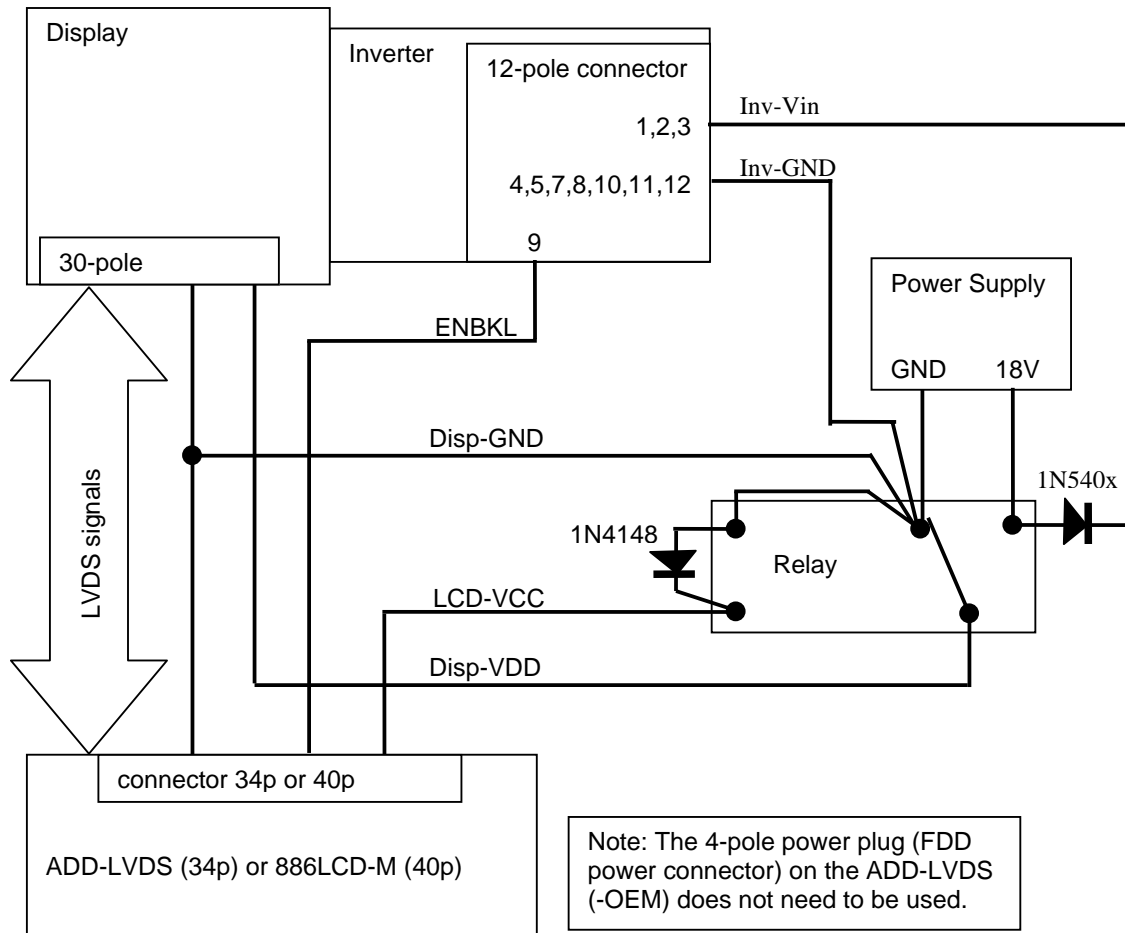
Inverter 12-pole		ADD-LVDS 34-pole	886LCD/Flex 40-pole	Function	Power system see page 2	Remarks
Pin #	Function	Pin #	Pin #			
1	+15V	-	-	-	Inv-Vin	Range 14–18V (Actual 17,3V)
2	+15V	-	-	-	Inv-Vin	
3	+15V	-	-	-	Inv-Vin	
4	GND	-	-	-	Inv-GND	
5	GND	-	-	-	Inv-GND	
6	NC	-	-	-	-	
7	GND	-	-	-	Inv-GND	
8	GND	-	-	-	Inv-GND	
9	ON/OFF	7	15	ENBKL	-	Active at +5V
10	GND	-	-	-	Inv-GND	
11	CTRL	-	-	-	Inv-GND	max intensity at GND
12	GND	-	-	-	Inv-GND	



The display has the connector type JAE FI-XB30SRL-HF11 or similar Hirose MDF76RAW-30S-1H, so mating connector for crimp terminal wire mounting is the JAE FI-X30M or similar.

The Inverter has the connector type YEONHO 12505WR-12A00 or similar Molex 53261-1290, so mating connector for crimp terminal wire mounting is the Molex 51021-1200 or similar.

Note: To prevent short circuit caused by the unused wires in the twisted pair flat cable, the unused wires shall be cut and protected with heat shrinkable tube. A more simple way to make this protection is to cut all the unused wires in different in length (minimum 0.5 mm difference) and then protect all the open wires by a single piece of heat shrinkable tube (~ diam 6mm length 15mm). The wires 1-5 are all +12V and can have same length.



Auxiliary parts:

- Relay: IMO EJH-1C-C1-S-5VDC (Farnell no. 430-7483)
- Power Supply: PSE60C-18 (Farnell no. 432-9302)
- Diode: 1N540X (min 3A)
- Diode: 1N4148 (fast)