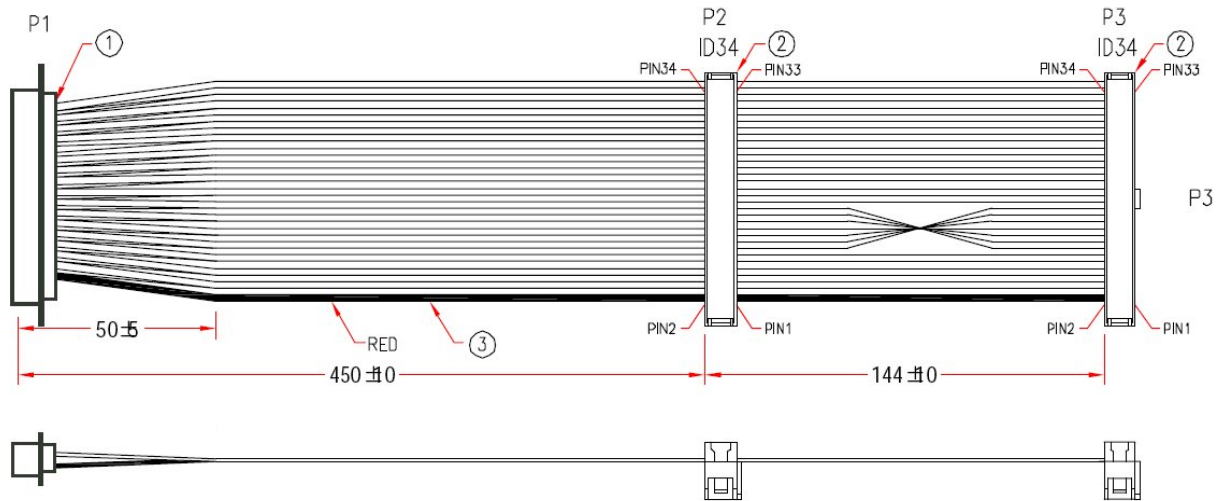


**PRELIMINARY**

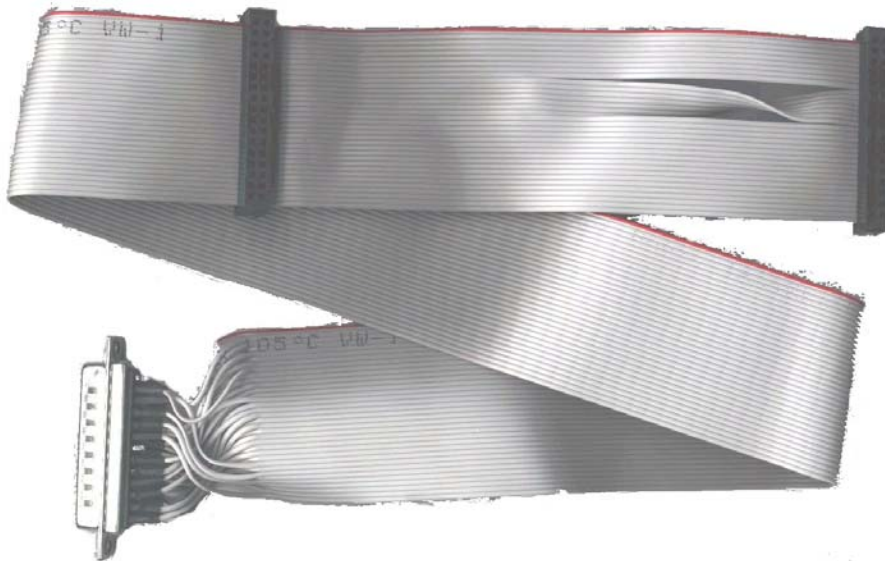
**Part list:**

- P1: DB-25 connector, male
- P2 + P3: 34-pole connector, IDC, black
- Cable: 600mm 34 wire Flat Cable, pitch 1.27 mm, AWG28, Gray
- HST: 23 pieces of Heat Shrinkable Tube used to protect the wires soldered to P1.

**Drawing:**



**Picture:**



**Connection Table:**

P1			P2 - (FDD B)		P3 - (FDD A)		Remarks
Pin no.	FDD	LPT	Pin no.	Function	Pin no.	Function	
1	-	/STB	-	-	-	-	
2	/IDX2	PD0	8	/IDX2	8	/IDX2	
3	/TRK02	PD1	26	/TRK02	26	/TRK02	
4	/WP2	PD2	28	/WP2	28	/WP2	
5	/RDD2	PD3	30	/RDD2	30	/RDD2	
6	/DCH2	PD4	34	/DCH2	34	/DCH2	
7	-	PD5	-	-	-	-	
8	/MOA2	PD6	10	/MOA2	16	/MOB2	
9	/DSA2	PD7	14	/DSA2	12	/DSB2	
10	/DSB2	ACK	12	/DSB2	14	/DSA2	
11	/MOB2	BUSY	16	/MOB2	10	/MOA2	
12	/WD2	PE	22	/WD2	22	/WD2	
13	/WE2	SLCT	24	/WE2	24	/WE2	
14	/RWC2	/AFD	2	/RWC2	2	/RWC2	
15	/HEAD2	/ERR	32	/HEAD2	32	/HEAD2	
16	/DIR2	/INIT	18	/DIR2	18	/DIR2	
17	/STEP2	/SLIN	20	/STEP2	20	/STEP2	
18	GND	GND	3	GND	3	GND	
18	GND	GND	5	GND	5	GND	
19	GND	GND	7	GND	7	GND	
19	GND	GND	9	GND	9	GND	
20	GND	GND	11	GND	15	GND	
20	GND	GND	13	GND	13	GND	
21	GND	GND	15	GND	11	GND	
21	GND	GND	17	GND	17	GND	
22	GND	GND	19	GND	19	GND	
22	GND	GND	21	GND	21	GND	
23	GND	GND	23	GND	23	GND	
23	GND	GND	25	GND	25	GND	
24	GND	GND	27	GND	27	GND	
24	GND	GND	29	GND	29	GND	
25	GND	GND	31	GND	31	GND	
25	GND	GND	33	GND	33	GND	
-	-	-	1,4,6	NC	1,4,6	NC	No Connection

**How to enable the FDD support in 886LCD-M BIOS:**

Enter Advanced> Floppy Configuration and select the right type of FDD for Floppy A and/or Floppy B.

Enter Advanced> SuperIO Configuration and make Onboard Floppy Controller = Enabled.

If required enter the Boot menu and make requested settings.