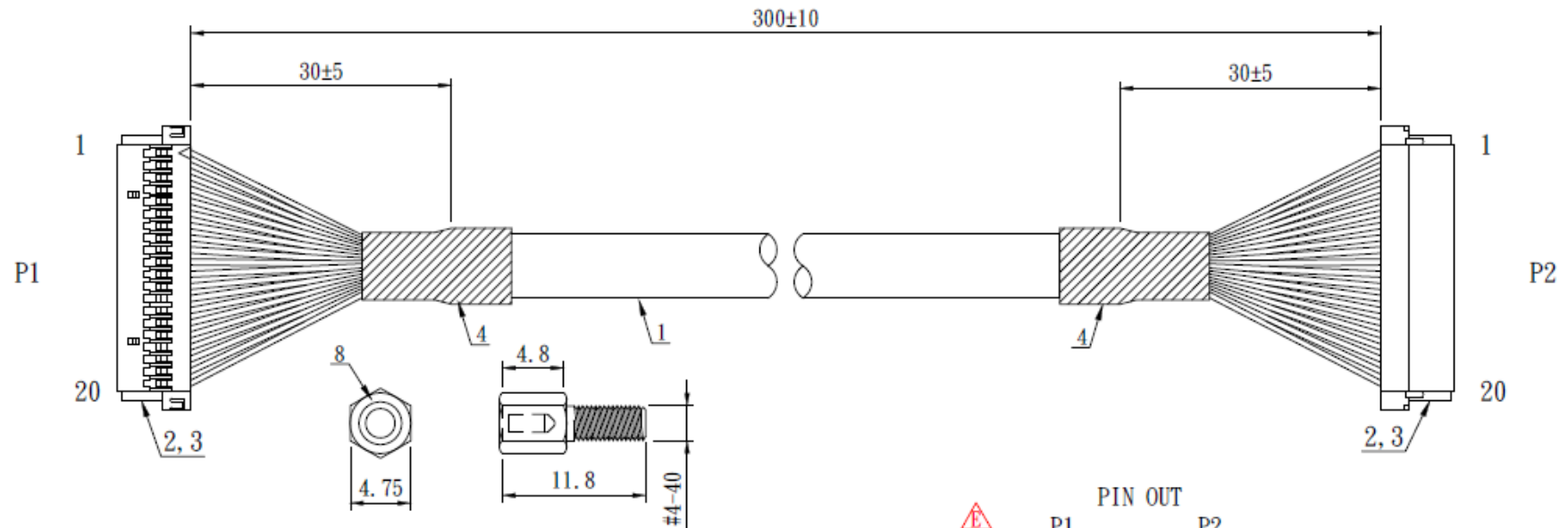


RoHS

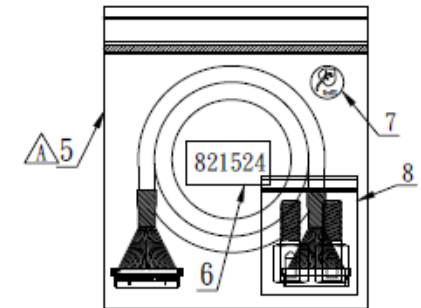


SCREW 4.8x11.8mm(2PCS/ZIPLOCK BAG)

No.	NAME	DESCRIPTION	Q' TY	SUPPLIER
1	WIRE	UL20276#28x10P+AEB OD:6.0mm BLACK L=307mm	1	
2	TERMINAL	R8413-PG	40	
3	HOUSING	R8410-20PS PH:1.0mm	2	
4	H. S. T	R4100-060020 BLACK 6.0 φ x20mm	2	
5	ZIPLOCK BAG	RCPE-C-150-100-10 150x100x0.1mm	1	
6	LABEL	R40LABEL-821524 PRINT"821524"	1	
7	LABEL	RoHS LABEL	1	
8	SCREW	R7300-HS-48-118-2 D-SUB HEXAGONAL SCREW #40牙 4.8x11.8mm	1	

- NOTES:
1. CONDUCTANCE RESISTANCE: <=1 ohm.
 2. INSULATION RESISTANCE: >=5M ohm.
 3. 100% OPEN, SHORT, MISS WIRE TESTING.
 4. THE FORCE OF TERMINAL AND WIRE SHOULD BE OVER 0.8-1.2KG.

	PIN OUT	
	P1	P2
LIGHT BLUE/BLACK	1	1
LIGHT BLUE	2	2
WHITE/BLACK	3	3
WHITE	4	4
GREY/BLACK	5	5
GREY	6	6
PURPLE/BLACK	7	7
PURPLE	8	8
BLUE/BLACK	9	9
BLUE	10	10
YELLOW/BLACK	11	11
YELLOW	14	14
GREEN/BLACK	12	12
GREEN	13	13
ORANGE/BLACK	15	15
ORANGE	16	16
RED/BLACK	18	18
RED	19	19
BROWN/BLACK	17	17
BROWN	20	20



PACKING: 1PCS/ZIPLOCK BAG
(ATTACH TWO SCREW)



PART NO	RE011-821524	NAME	DATE	SCALE: NTS	REV NO	DATE	DESCRIPTION	BY	CHECKED	WORKING STATION
		DRAWN	HW	2010.08.17	UNIT: mm(in.)	B	2011.01.14	CHANGE SCREW Q' TY AND CANCEL ZIPLOCK BAG	QYJ	JANICE
CHECKED	QYJ	2010.08.17	CAD NO	C	2011.07.04	CHANGE TERMINAL NO	QYJ	Doris		
APPROVED	MONICA	2010.08.17	RE011-821524	D	2012.09.11	CHANGE DWG NAME	PC	KELLY		
				E	2014.12.08	CHANGE WIRE DESCRIPTION & WIRE COLOR	CSH			