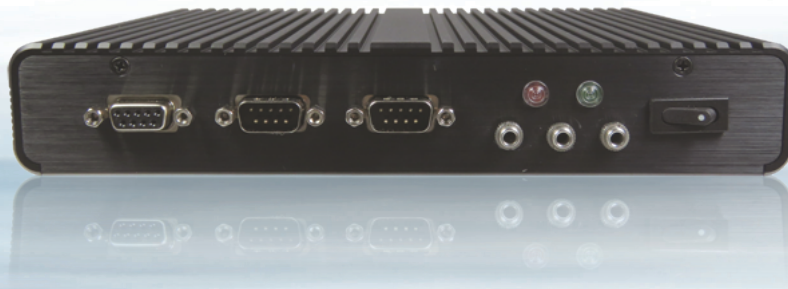


KBox E-210 SERIES

FANLESS & 4K UHD SUPPORT



FANLESS BOX PC WITH 7TH / 6TH GEN INTEL® CORE™ / CELERON® U-SERIES CPU

- ▶ 1x HDMI 2.0, 1x DP for display output
- ▶ 2x GbE LAN for Ethernet
- ▶ 4x USB 3.2 Gen 1, 2x RS232/422/485, 1x DIO for peripheral connection
- ▶ 1x 2.5" SATA 3.0 HDD / SSD Slot for storage
- ▶ 1x mPCIe, 1x M.2 Key B for expansion

POSSIBILITIES START HERE



kontron

KBox E-210 SERIES

FANLESS BOX PC WITH 7TH / 6TH GENERATION INTEL® CORE™ / CELERON® U-SERIES PROCESSORS

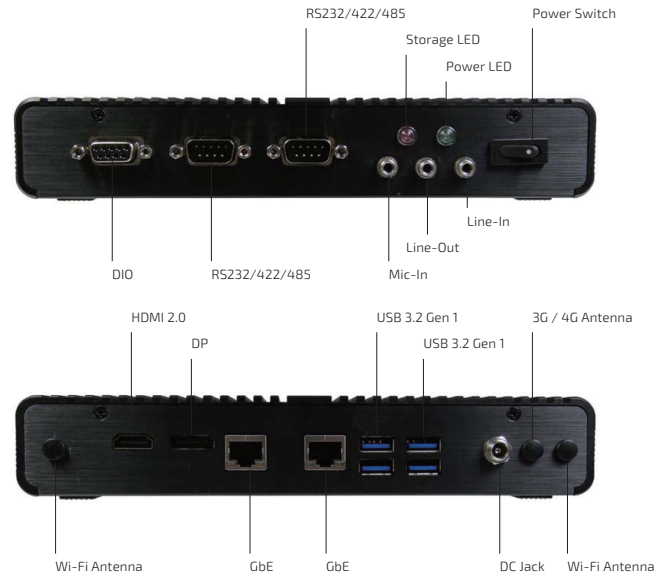
Power by 7th / 6th Generation Intel® Core™ / Celeron® U-Series Processors, KBox E-210 Series is a fanless box PC that can deliver excellent processing and graphical performance to respond to the requirements for the state-of-the-art applications. Equipped with one HDMI 2.0 port, it supports 4K resolution, higher data rate, wider bandwidth and ultra-wide display, making it an ideal platform for digital signage or audio / video data intensive applications.

It has one 2.5" SATA 3.0 HDD / SSD supported, allowing double read / write speed. In addition, a M.2 socket enables multi-functional integration, such as satellite navigation, WWAN and SSDs.

Finally, it is enclosed within a rugged aluminum chassis with ventilation slots, allowing it installed outdoors without fear of dust ingress.

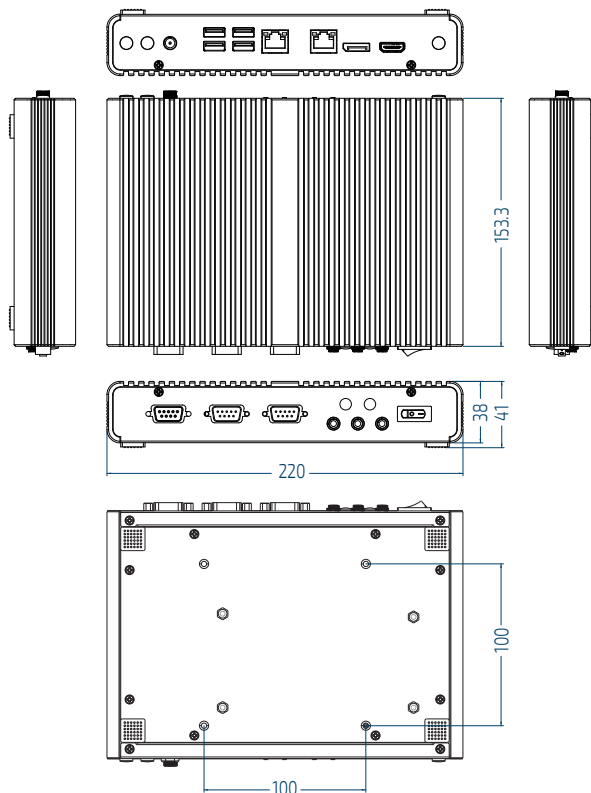
PRODUCT HIGHLIGHTS

- ▶ 7th / 6th Gen Intel® Core™ / Celeron® U-Series Processors
- ▶ 2x DDR4 SO-DIMM memory socket
- ▶ 1x DP, 1x HDMI 2.0 for dual display support
- ▶ 2x GbE LAN for Ethernet
- ▶ 4x USB 3.2 Gen 1 for USB device connection
- ▶ 2x RS232/422/485 for serial device connection
- ▶ 1x DIO for device / signal control
- ▶ 1x 2.5" SATA 3.0 HDD / SSD for storage
- ▶ 1x mPCIe for WLAN / Bluetooth / WWAN expansion
- ▶ 1x M.2 Key B for SSD / WWAN expansion
- ▶ Passive cooling design without fans and vents
- ▶ Extended temperature model available: -20 °C ~ 70 °C

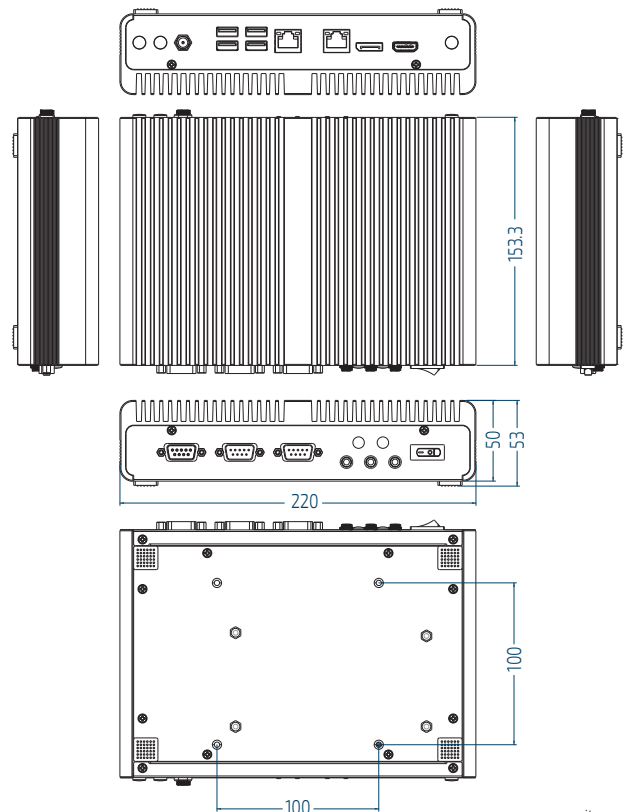


MECHANICAL DIMENSIONS

Standard Temperature Model



Extended Temperature Model



unit: mm

► TECHNICAL INFORMATION

SYSTEM	PROCESSOR	Intel® Core™ i7-7600U (Dual Core, 4M Cache, 2.8 / 3.9 GHz, FCBGA1356, 15 W TDP) Intel® Core™ i5-7300U (Dual Core, 3M Cache, 2.6 / 3.5 GHz, FCBGA1356, 15 W TDP) Intel® Core™ i3-7100U (Dual Core, 3M Cache, 2.4 GHz, FCBGA1356, 15 W TDP) Intel® Celeron® 3965U (Dual Core, 2M Cache, 2.2 GHz, FCBGA1356, 15 W TDP) Intel® Core™ i5-6300U (Dual Core, 3M Cache, 2.4 / 3.0 GHz, FCBGA1356, 15 W TDP) 2x DDR4 2133 1.2 V S0-DIMM up to 32 GByte
VIDEO	GRAPHICS	Intel® HD Graphics 620 (7th Gen Core™ CPU) Intel® HD Graphics 610 (Celeron® CPU)
	DISPLAY INTERFACE	Intel® HD Graphics 520 (6th Gen Core™ CPU) 1x HDMI 2.0 (on rear, 4096 x 2160 @ 60 Hz)
	MULTIPLE DISPLAY	1x DP (on rear, 4096 x 2304 @ 60 Hz) Dual
AUDIO	AUDIO CODEC	Realtek ALC662
	AUDIO INTERFACE	1x Line-in (on front) 1x Line-out (on front) 1x Mic-in (on front)
NETWORK CONNECTION	ETHERNET	2x GbE LAN (RJ45 on rear, 1x Intel® I219-LM, 1x Intel® I210-AT)
PERIPHERAL CONNECTION	USB	4x USB 3.2 Gen 1 (Type A on rear)
	SERIAL PORT	2x RS232/422/485 (DB9 on front)
	OTHER I/Os	1x DIO (DB9 Female on front)
STORAGE & EXPANSION	SATA	1x 2.5" SATA 3.0 HDD / SSD
	mPCIe	1x mPCIe (full size, w/ PCIe / USB 2.0 / UIM)
	M.2	1x M.2 Key B (type 2242, w/ PCIe x2 / SATA 3.0 / USB 2.0 / USB 3.2 / UIM)
	SIM CARD HOLDER	1x SIM Card Holder (optional)
POWER	INPUT VOLTAGE	DC 12 V (default) DC 24 V or other options (by request)
	CONNECTOR	Lockable DC Jack (on rear)
FIRMWARE	BIOS	AMI uEFI BIOS w/ 128 Mb SPI Flash
	WATCHDOG	Programmable WDT to generate system reset event
	H/W MONITOR	Voltages, Temperatures
	REAL TIME CLOCK	Processor integrated RTC
	TPM	TPM 2.0 (Infineon SLB 9665, models w/ 7th Gen Core™ i7 / i5) TPM 1.2 (Infineon SLB 9660, models w/ 6th Gen Core™ i7 / i5)
	iAMT	Yes (models w/ Core™ i7 / i5)
SYSTEM CONTROL & MONITORING	BUTTON, SWITCH & INDICATOR	1x Power Switch (on front) 1x Power LED (on front) 1x Storage LED (on front)
COOLING	COOLING METHOD	Passive
SOFTWARE	OS SUPPORT	Windows 10, Linux
MECHANICAL	CONSTRUCTION	Aluminum Chassis
	DIMENSIONS (W x D x H)	220 mm x 153.3 mm x 38 mm / 8.66" x 6.04" x 1.50" (Standard temp. model) 220 mm x 153.3 mm x 50 mm / 8.66" x 6.04" x 1.97" (Extended temp. model)
	WEIGHT	1600 g / 3.53 lb
	MOUNTING	VESA Mount (100 mm x 100 mm)
ENVIRONMENTAL	OPERATING TEMPERATURE	0 °C ~ 50 °C / 32 °F ~ 122 °F (Standard) -20 °C ~ 70 °C / -4 °F ~ 158 °F (Extended)
	STORAGE TEMPERATURE	-20 °C ~ 80 °C / -4 °F ~ 176 °F
	HUMIDITY	0 % ~ 90 %
COMPLIANCE	EMC & SAFETY	CE Class A, FCC Class A

▶ ORDERING INFORMATION

ARTICLE	DESCRIPTION
KBox E-210	Intel® Core™ i5-6300U, w/ TPM, Operating temperature: 0 °C ~ 50 °C
KBox E-213	Intel® Core™ i5-7300U, w/ TPM, Operating temperature: 0 °C ~ 50 °C
KBox E-214	Intel® Core™ i7-7600U, w/ TPM, Operating temperature: 0 °C ~ 50 °C
KBox E-215	Intel® Celeron® 3965U, w/o TPM, Operating temperature: 0 °C ~ 50 °C
KBox E-216	Intel® Core™ i3-7100U, w/o TPM, Operating temperature: 0 °C ~ 50 °C
KBox E-213-ET	Intel® Core™ i5-7300U, w/ TPM, Operating temperature: -20 °C ~ 70 °C
KBox E-214-ET	Intel® Core™ i7-7600U, w/ TPM, Operating temperature: -20 °C ~ 70 °C
KBox E-215-ET	Intel® Celeron® 3965U, w/o TPM, Operating temperature: -20 °C ~ 70 °C
KBox E-216-ET	Intel® Core™ i3-7100U, w/o TPM, Operating temperature: -20 °C ~ 70 °C

ACCESSORIES

ARTICLE	PART NO.	DESCRIPTION
POWER ADAPTER	0I0902GST60A101L	Input: AC 90 V ~ 264 V, Output: 12 V @ 5 A max. 60 W, DC Jack w/ lock
POWER CORD (depending on country)	0C5060000000020L	EU type
	0C5060000000030L	US type
	0C5060000000040L	UK type
	0C5060000000070L	JP type
	0C5060000000090L	CN type
	0C5060000000110L	AU type
VESA MOUNTING KIT *	0ZMM650000000400	2x bracket (hole pattern: 75 mm x 75 mm / 100 mm x 100 mm), 4x M4 screw
WI-FI + BT EXPANSION KIT *	0ZHKAWCB161H0001	Wi-Fi 2.4 GHz / 5 GHz + Bluetooth 4.0 Class I, mPCIe interface, 2x antenna

(* : Optional)

▶ PRODUCT CONTACT POINT

KONTRON ASIA INC.

4F, No. 415, Ti-Ding Blvd., Sec. 2,
Neihu District, Taipei, Taiwan 114741
Tel.: + 886 2 2799 2789
Fax: + 886 2 2799 7399
SalesAsia@kontron.com
www.kontron.com