

KBox F-220 SERIES

4K ULTRA HD SUPPORTED



BOX PC WITH 7TH GEN INTEL® CORE™ / CELERON® S-SERIES PROCESSORS

- ▶ 1x DP, 2x HDMI 2.0 for video output
- ▶ 2x GbE LAN for Ethernet
- ▶ 6x USB, 1x RS232/422/485 for peripheral connection
- ▶ 1x 2.5" SATA 3.0 HDD / SSD, up to 2x mSATA for storage
- ▶ Up to 2x mPCIe for expansion

POSSIBILITIES START HERE



KBox F-220 SERIES

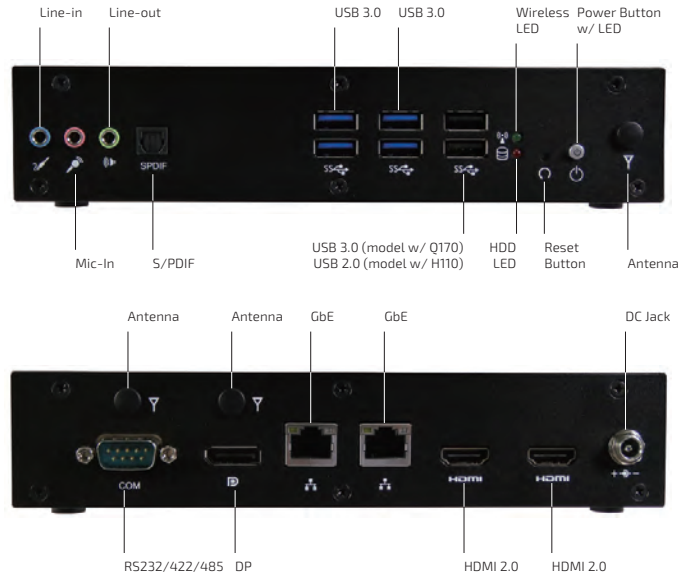
BOX PC WITH 7TH GENERATION INTEL® CORE™ / CELERON® S-SERIES PROCESSORS

KBox F-220 Series is a Box PC powered by 7th Generation Intel® Core™ / Celeron® S-Series processors with support for DDR4 memory. Combined with a variety of video / audio interfaces, including 1x DP, 2x HDMI 2.0, 1x Line-in, 1x Line-out, 1x Mic-in and 1x S/PDIF, it is an ideal platform for video and graphics intensive applications, such as digital signage, medical imaging or gaming.

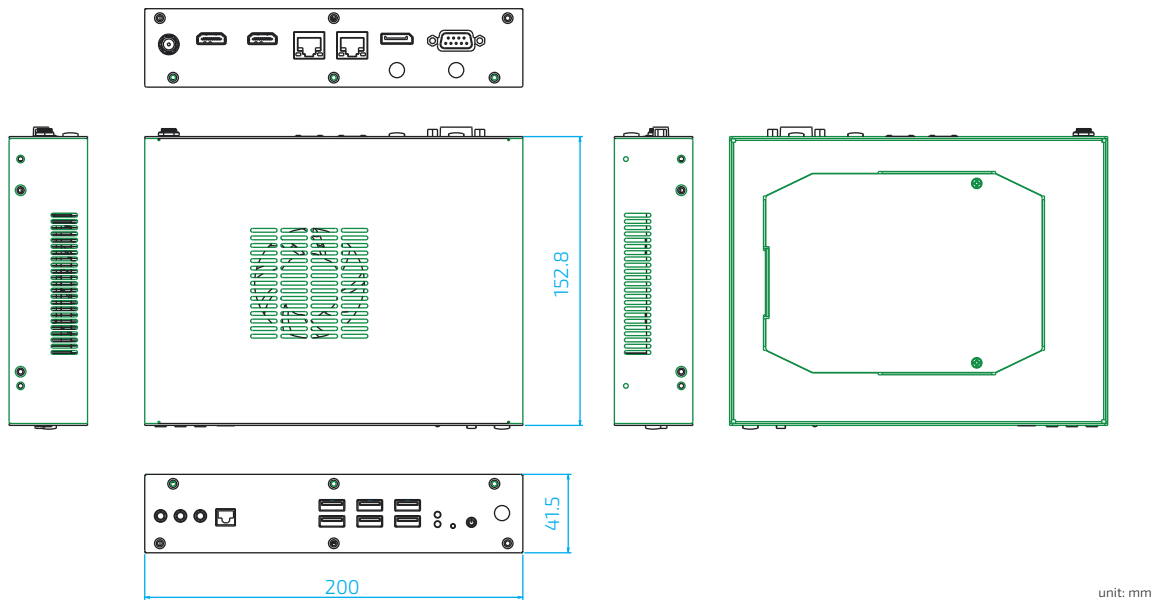
Supporting 1x 2.5" SATA 3.0 HDD / SSD, 6x USB, 1x RS232/422/485, 2x GbE LAN and 2x mPCIe or 2x mSATA, it provides multiple interface options for data storage / backup, peripheral and network connection / expansion to match the varieties of possible applications. In addition, the compact volume allows easy integration into space-constrained applications.

▶ PRODUCT HIGHLIGHTS

- ▶ 7th Gen Intel® Core™ / Celeron® S-Series CPU (35 W TDP)
- ▶ Intel® Q170 / H110 Chipset
- ▶ 2x DDR4 SO-DIMM memory socket
- ▶ 1x DP, 2x HDMI 2.0 for video output
- ▶ 2x GbE LAN for Ethernet
- ▶ 6x USB, 1x RS232/422/485 for peripheral connection
- ▶ 1x 2.5" SATA 3.0 HDD / SSD, up to 2x mSATA for storage
- ▶ Up to 2x mPCIe for expansion



▶ MECHANICAL DIMENSIONS



TECHNICAL INFORMATION

SYSTEM	PROCESSOR CHIPSET MEMORY	7th Gen Intel® Core™ / Celeron® S-Series CPUs (FCLGA1151 socket, 35 W TDP) Intel® Q170 Intel® H110 2x DDR4 2133 / 2400 SO-DIMM up to 32 GByte (Core™ CPU) 2x DDR4 2133 SO-DIMM up to 32 GByte (Celeron® CPU)
VIDEO	GRAPHICS DISPLAY INTERFACE MULTIPLE DISPLAY	Intel® HD Graphics 610 (Celeron® CPU) Intel® HD Graphics 630 (Core™ CPU) 1x DP (on rear, 4096 x 2304 @ 60 Hz) 2x HDMI 2.0* (on rear, 4096 x 2160 @ 60 Hz) Triple Display (model w/ Q170 chipset) Dual Display (model w/ H110 chipset)
AUDIO	AUDIO CODEC AUDIO INTERFACE	Realtek ALC662 1x Line-in (on front) 1x Line-out (on front) 1x Mic-in (on front) 1x S/PDIF (on front)
NETWORK CONNECTION	ETHERNET	2x GbE LAN (RJ45 on rear, Intel® I219-LM, Intel® I210-AT)
PERIPHERAL CONNECTION	USB SERIAL PORT	6x USB 3.0 (Type A on front, model w/ Q170 chipset) 4x USB 3.0 (Type A on front, model w/ H110 chipset) 2x USB 2.0 (Type A on front, model w/ H110 chipset) 1x RS232/422/485 (DB9 on rear)
STORAGE & EXPANSION		1x 2.5" SATA 3.0 HDD / SSD 2x mSATA / mPCIe (1x full size, 1x half size, model w/ Q170 chipset) 2x mPCIe (1x full size, 1x half size, model w/ H110 chipset) 1x SIM Card Cage (Mini type)
POWER	INPUT VOLTAGE CONNECTOR	DC 19 V Lockable DC Jack (on rear)
FIRMWARE	BIOS WATCHDOG H/W MONITOR REAL TIME CLOCK SECURITY iAMT	AMI uEFI BIOS w/ 128 Mb SPI Flash Programmable WDT to generate system reset event Input & Core Voltages, CPU & System Temperatures Chipset integrated RTC TPM 2.0 for model w/ Q170 chipset (Infineon SLB 9665) Supported for model w/ Q170 chipset
SYSTEM CONTROL & MONITORING	BUTTON, SWITCH & INDICATOR	1x Power Button w/ LED (on front) 1x Reset Button (on front) 1x HDD LED (on front) 1x Wireless LED (on front)
COOLING	FAN	1x CPU Smart Fan
SOFTWARE	OS SUPPORT	Windows 10, Linux
MECHANICAL	CONSTRUCTION DIMENSIONS (W x D x H) WEIGHT MOUNTING	Metal Chassis 200 mm x 152.8 mm x 41.5 mm / 7.87" x 6.02" x 1.63" 1000 g / 2.20 lb VESA Mount, Stand Mount
ENVIRONMENTAL	OPERATION TEMPERATURE STORAGE TEMPERATURE HUMIDITY	0 °C ~ 40 °C / 32 °F ~ 104 °F -20 °C ~ 80 °C / -4 °F ~ 176 °F 0 % ~ 90 %
CERTIFICATION	EMC & SAFETY	CE Class A, FCC Class A

(* HDMI 2.0 function is not applicable to the following monitors: LG 27MU67-B, LG 27UD68, AOC U2879VF, LG 65UF850T, QD980, Dell S2817Q & ASUS MX27UQ.)

▶ ORDERING INFORMATION

ARTICLE	DESCRIPTION
KBox F-220	Intel® H110 Chipset, 4x USB 3.0, 2x USB 2.0, 2x mPCIe, w/o TPM, w/o iAMT
KBox F-221	Intel® Q170 Chipset, 6x USB 3.0, 2x mPCIe / mSATA, w/ TPM, w/ iAMT
ACCESSORIES	
POWER ADAPTER	Input: AC 100 V ~ 240 V, Output: DC 19 V
POWER CORD	EU / US / UK / JP / CN / AU type depending on country
VESA MOUNTING KIT	Hole pattern: 100 mm x 100 mm & 75 mm x 75 mm
STAND BRACKET *	SEEC T = 1.0 black painted

The asterisk (*) means optional item.

▶ PRODUCT CONTACT POINT

KONTRON ASIA INC.

4F, No. 415, Ti-Ding Blvd., Sec. 2,
Neihu District, Taipei, Taiwan 114741
Tel.: + 886 2 2799 2789
Fax: + 886 2 2799 7399
SalesAsia@kontron.com
www.kontron.com