

KBox N-11x

LAN BYPASS FUNCTION SUPPORT



FANLESS NETWORK SECURITY APPLIANCE WITH INTEL® ATOM® C3000 SERIES PROCESSORS

- ▶ 6x GbE LAN for Ethernet
- ▶ 2 pairs of LAN bypass functionality support
- ▶ 2x USB 3.0, 1x RS232 for peripheral connection
- ▶ 1x 2.5" SATA 3.0 HDD / SSD for storage
- ▶ 1x M.2 Key A, 1x M.2 Key B, 1x mSATA / mPCIe for expansion

POSSIBILITIES START HERE



KBox N-11x

FANLESS NETWORK SECURITY APPLIANCE WITH INTEL® ATOM® C3000 SERIES PROCESSORS

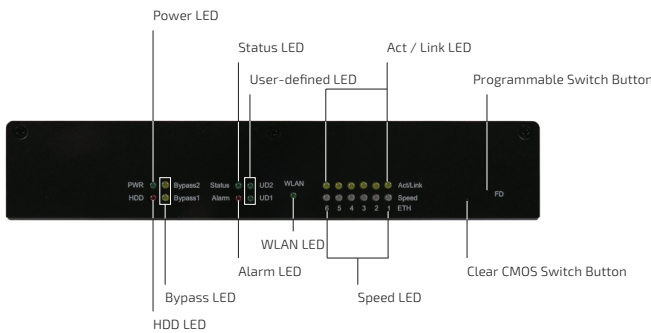
Kontron's KBox N-11x is a fanless network security appliance based on Intel® Atom® C3000 Series Processors. Equipped with six GbE LAN ports of which four support two pairs of LAN bypass functionality, the KBox N-110 Series can instantly pass the link to the next

available paths in case of a single point of network failure. It is therefore suitable for the enterprises who want to build a network redundancy to ensure maximum uptime and availability for networkbased applications.

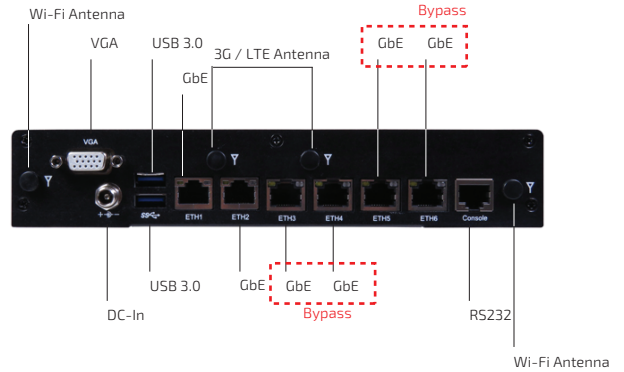
PRODUCT HIGHLIGHTS

- ▶ Intel® Atom® C3000 Series Processors
- ▶ 1x / 2x DDR4 1866 UDIMM memory socket
- ▶ 6x GbE LAN for Ethernet
- ▶ 2 pairs of LAN bypass functionality support
- ▶ 2x USB 3.0, 1x RS232 for peripheral connection
- ▶ 1x 2.5" SATA 3.0 HDD / SSD for storage
- ▶ 1x M.2 Key A, 1x M.2 Key B, 1x mSATA / mPCIe for expansion
- ▶ Passive cooling design
- ▶ Friendly LED indicators
- ▶ Extended temperature model available

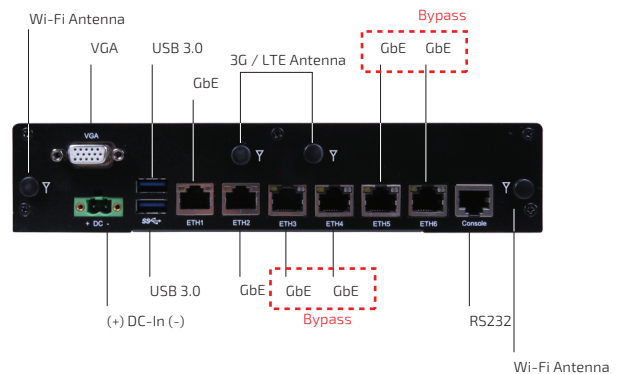
Front I/O Ports



Rear I/O Ports (w/ DC Jack)

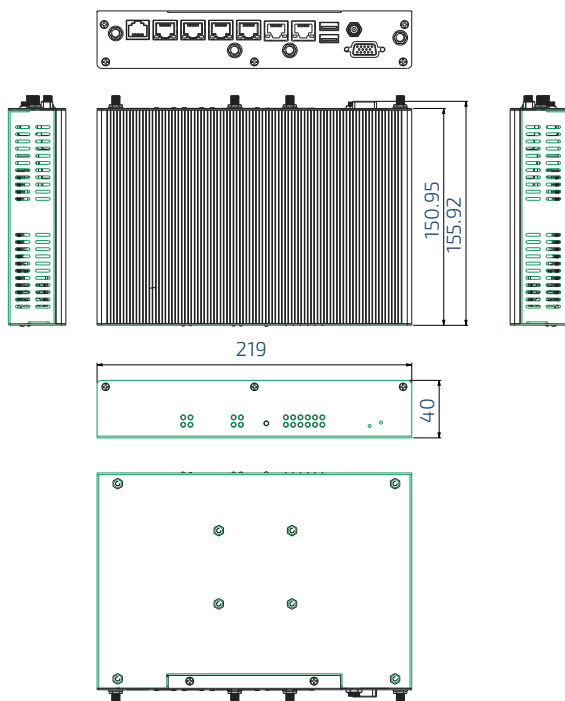


Rear I/O Ports (w/ Terminal Block)

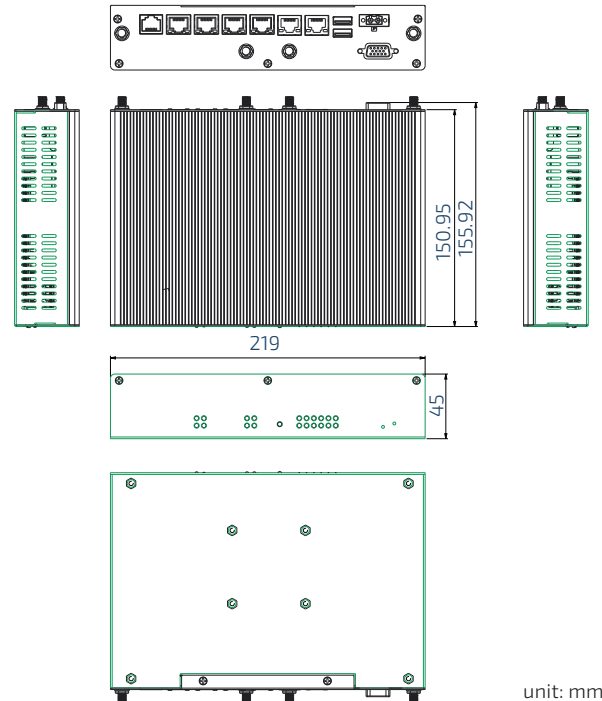


MECHANICAL DIMENSIONS

Model w/ DC Jack



Model w/ Terminal Block



unit: mm

► TECHNICAL INFORMATION

SYSTEM	PROCESSOR	Intel® Atom® C3338 (Dual Core, 4M Cache, up to 2.20 GHz, FCBGA1310, 9 W TDP)
	MEMORY	Intel® Atom® C3538 (Quad Core, 8M Cache, up to 2.10 GHz, FCBGA1310, 15 W TDP) 1x DDR4 1866 UDIMM Socket (Atom® C3338 model, low-profile RAM allowed) 2x DDR4 1866 UDIMM Socket (Atom® C3538 model, low-profile RAM allowed)
VIDEO	GRAPHICS DISPLAY INTERFACE	RDC® C6139 1x VGA (on rear, 1024 x 768 @ 60 Hz)
NETWORK CONNECTION	ETHERNET	6x GbE LAN (RJ45 on rear, LAN3 & LAN4 Bypass, LAN5 & LAN6 Bypass) LAN1 & LAN2: Intel® I210-AT LAN3 ~ LAN6: Intel® Denverton SoC Ethernet Controller
PERIPHERAL CONNECTION	USB SERIAL PORT	2x USB 3.0 (Type A on rear) 1x RS232 (RJ45 on rear, console redirection support)
STORAGE & EXPANSION	SATA mSATA / mPCIe M.2	1x 2.5" SATA 3.0 HDD / SSD 1x mSATA / mPCIe (full size, mixed w/ PCIe x1, SATA & USB 2.0) 1x M.2 Key A (mixed w/ PCIe x1) 1x M.2 Key B (mixed w/ SATA & USB 2.0)
	SIM CARD HOLDER	1x Micro SIM Card Holder
POWER	INPUT VOLTAGE & CONNECTOR	DC 12 V ~ 19 V for Lockable DC Jack (on rear) DC 19 V ~ 36 V for 2-pin Phoenix Connector (on rear)
FIRMWARE	BIOS WATCHDOG H/W MONITOR REAL TIME CLOCK TPM	AMI uEFI BIOS w/ 128 Mb SPI Flash Programmable WDT to generate system reset event or LAN bypass Voltages, Temperatures SoC integrated RTC Optional (Infineon SLB 9665 TPM 2.0)
SYSTEM CONTROL & MONITORING	BUTTON, SWITCH & INDICATOR	1x Programmable Switch Button (on front, GP input support) 1x Clear CMOS Switch Button (on front) 1x Power LED (on front, green) 1x HDD LED (on front, red) 1x Status LED for GP output (on front, green) 1x Alarm LED for GP output (on front, red) 2x Bypass LED (on front, yellow) 6x Act / Link LED for LAN1 ~ LAN6 (on front, yellow) 6x Speed LED for LAN1 ~ LAN6 (on front, 10: off / 100: green / 1000: orange) 1x WLAN LED (on front, green) 2x User-defined LED (on front, green)
COOLING	COOLING METHOD	Passive
SOFTWARE	OS SUPPORT	Windows Server, Linux
MECHANICAL	CONSTRUCTION DIMENSIONS (W x D x H)	Aluminum Chassis 219 mm x 151 mm x 40 mm / 8.62" x 5.94" x 1.57" (DC Jack model) 219 mm x 151 mm x 45 mm / 8.62" x 5.94" x 1.77" (Phoenix Connector model)
	WEIGHT	1420 g / 3.13 lb (DC Jack model) 1620 g / 3.57 lb (Phoenix Connector model)
ENVIRONMENTAL	OPERATION TEMPERATURE	0 °C ~ 45 °C / 32 °F ~ 113 °F (Standard) 0 °C ~ 65 °C / 32 °F ~ 149 °F (Extended)
	STORAGE TEMPERATURE HUMIDITY	-20 °C ~ 80 °C / -4 °F ~ 176 °F 0 % ~ 95 %
CERTIFICATION	EMC & SAFETY	CE Class B, FCC Class B

▶ ORDERING INFORMATION

ARTICLE	DESCRIPTION
KBox N-111	Intel® Atom® C3538, 2x DDR4 UDIMM Socket, DC Jack 12 V ~ 19 V, Operating Temperature 0 °C ~ 45 °C

ACCESSORIES

ARTICLE	PART NO.	DESCRIPTION
POWER ADAPTER	0I0902GST60A101L	Input: AC 90 V ~ 264 V, Output: 12 V, 60 W, DC Plug
POWER CORD <i>(depending on country)</i>	0C5060000000020L	EU type
	0C5060000000030L	US type
	0C5060000000040L	UK type
	0C5060000000070L	JP type
	0C5060000000090L	CN type
0C5060000000110L	AU type	
WIFI+BT MODULE KIT*	0ZHKAWCB161H0012	Azurewave AW-CB161H w/ Antenna, 300 mm Cable, Mylar, Bracket

(* : Optional)

▶ PRODUCT CONTACT POINT

KONTRON ASIA INC.

4F, No. 415, Ti-Ding Blvd., Sec. 2,
Neihu District, Taipei, Taiwan 11493
Tel.: + 886 2 2799 2789
Fax: + 886 2 2799 7399
SalesAsia@kontron.com
www.kontron.com