

KBox N-200

IDEAL FOR EDGE SECURITY CONTROLS AT SMEs



FANLESS MINI NETWORK SECURITY APPLIANCE WITH INTEL® ATOM® C3338 PROCESSOR

- ▶ 1x DDR4 SO-DIMM memory socket
- ▶ 4x GbE LAN for Ethernet
- ▶ 2x USB 3.0, 1x RS232 for peripheral connection
- ▶ 1x mSATA / mPCIe, 1x M.2 Key B, 1x M.2 Key M (NVMe) for SSD storage and expansion
- ▶ Passive cooling design

POSSIBILITIES START HERE



KBox N-200

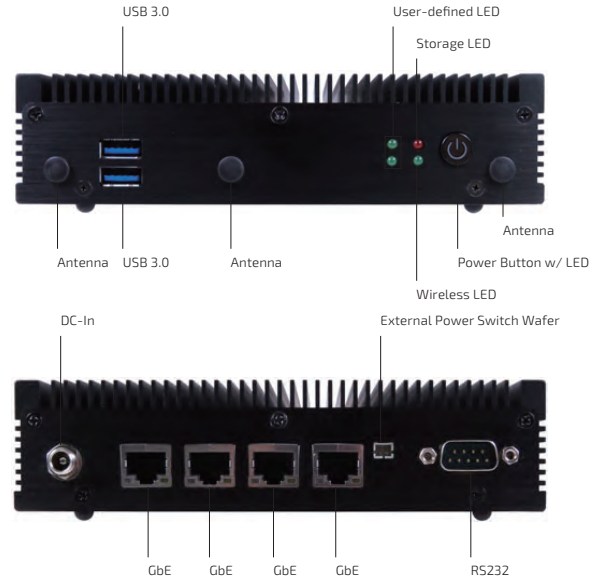
FANLESS MINI NETWORK SECURITY APPLIANCE WITH INTEL® ATOM® C3338 PROCESSOR

KBox N-200 is a fanless mini network security appliance based on Intel® Atom® C3338 processor, with four GbE LAN ports on rear I/O panel. It reserves one mSATA / mPCIe, one M.2 Key B and one M.2 Key M (NVMe, Non-Volatile Memory Express) slots, allowing system integrators or users to expand SSD storage card or wireless

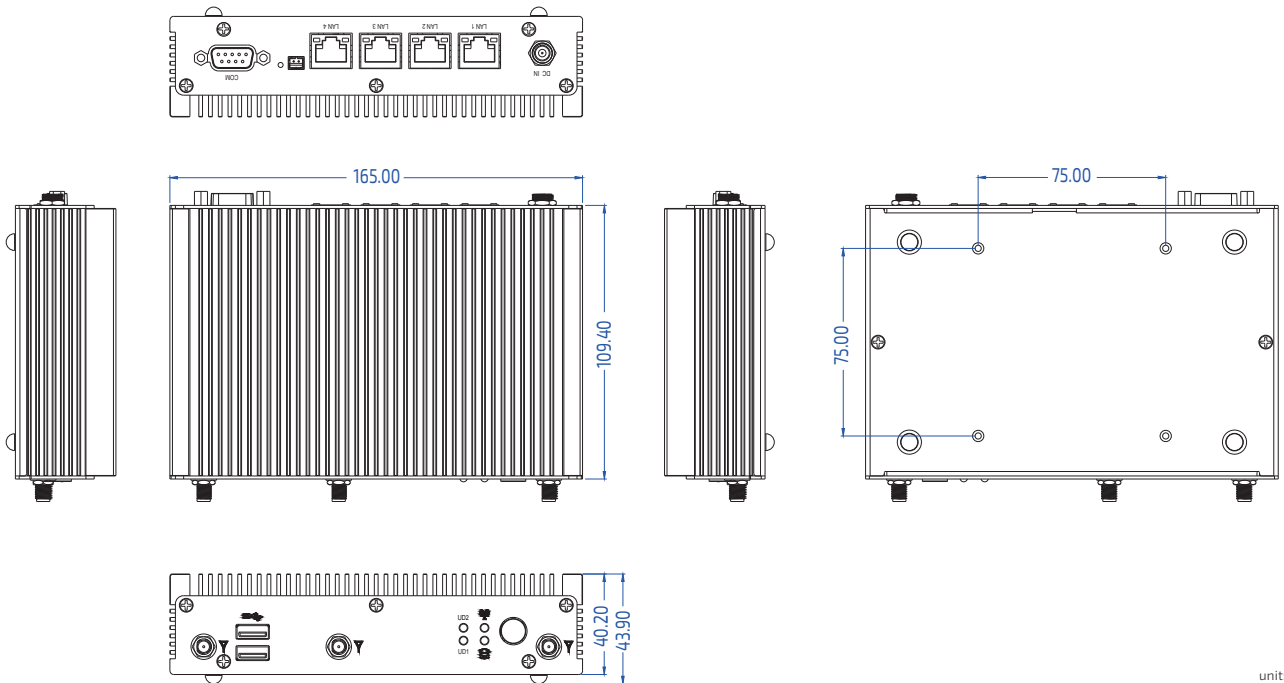
communication (such as Wi-Fi, 3G, 4G) modules according to application requirements. It is an ideal entry-level network security appliance for edge security controls at small and medium-sized enterprises.

▶ PRODUCT HIGHLIGHTS

- ▶ Intel® Atom® C3338 Processor
- ▶ 1x DDR4 SO-DIMM memory socket
- ▶ 4x GbE LAN for Ethernet
- ▶ 2x USB 3.0, 1 x RS232 for peripheral connection
- ▶ 1x mSATA / mPCIe for SSD storage & expansion
- ▶ 1x M.2 Key B, 1x M.2 Key M for SSD storage & expansion
- ▶ Passive cooling design
- ▶ Friendly LED indicators



▶ MECHANICAL DIMENSIONS



unit: mm

TECHNICAL INFORMATION

SYSTEM	PROCESSOR MEMORY	Intel® Atom® C3338 (Dual Core, 4M Cache, up to 2.20 GHz, FCBGA1310, 9 W TDP) 1x DDR4 1866 SO-DIMM
NETWORK CONNECTION	ETHERNET	4x GbE LAN (RJ45 on rear, Marvell 88E1543)
PERIPHERAL CONNECTION	USB SERIAL PORT	2x USB 3.0 (Type A on front) 1x RS232 (DB9 on rear)
STORAGE & EXPANSION	mSATA / mPCIe M.2 SIM CARD HOLDER	1x mSATA / mPCIe (full size, mixed w/ USB 2.0, PCIe x1 & SATA) 1x M.2 Key B (type 2242 / 3042, mixed w/ USB 2.0, PCIe x2 & SATA) 1x M.2 Key M (type 2242 / 2280, mixed w/ PCIe x4 & SATA) 1x SIM Card Holder (Micro type, controlled by M.2 Key B)
POWER	INPUT VOLTAGE CONNECTOR	DC 12 V ~ 19 V Lockable DC Jack (on rear)
FIRMWARE	BIOS WATCHDOG H/W MONITOR REAL TIME CLOCK TPM	AMI uEFI BIOS w/ 128 Mb SPI Flash Programmable WDT to generate system reset event Voltages, Temperatures SoC integrated RTC Optional (Infineon SLB 9665 TPM 2.0)
SYSTEM CONTROL & MONITORING	BUTTON, SWITCH & INDICATOR	1x Power Button w/ LED (on front) 1x Reset Button (on rear) 1x External Power Switch Wafer (on rear) 1x Storage LED (on front, red) 1x Wireless LED (on front, green) 2x User-defined LED (on front, green)
COOLING	COOLING METHOD	Passive
SOFTWARE	OS SUPPORT	Windows Server, Linux
MECHANICAL	CONSTRUCTION DIMENSIONS (W x D x H) WEIGHT	Aluminum Chassis 165 mm x 109.4 mm x 40.2 mm / 6.50" x 4.31" x 1.58" 750 g / 1.65 lb
ENVIRONMENTAL	OPERATION TEMPERATURE STORAGE TEMPERATURE HUMIDITY	0 °C ~ 45 °C / 32 °F ~ 113 °F -20 °C ~ 80 °C / -4 °F ~ 176 °F 0 % ~ 95 %
CERTIFICATION	EMC & SAFETY	CE Class B, FCC Class B

ORDERING INFORMATION

ARTICLE	DESCRIPTION
KBox N-200	Intel® Atom® C3338

ACCESSORIES

ARTICLE	DESCRIPTION
POWER ADAPTER	Input: AC 90 V ~ 264 V, Output: 12 V, 40 W
POWER CORD	EU, US, UK, JP, CN or AU type depending on country

(* : Optional)

PRODUCT CONTACT POINT

KONTRON ASIA INC.

4F, No. 415, Ti-Ding Blvd., Sec. 2,
Neihu District, Taipei, Taiwan 11493
Tel.: + 886 2 2799 2789
Fax: + 886 2 2799 7399
SalesAsia@kontron.com
www.kontron.com