

SmartClient-SLU

MULTI-TOUCH SCREEN, FANLESS, ANTI-SPRAY



17" / 21.5" 10-POINT PCT FLAT PANEL PC WITH 6TH GENERATION INTEL® CORE™ U-SERIES PROCESSORS

- ▶ 1x DP, 1x HDMI 2.0 for secondary / tertiary display
- ▶ 2x GbE LAN for Ethernet
- ▶ 4x USB 3.0, 2x RS232/422/485, up to 1x 8-bit DIO for peripheral connection
- ▶ 1x 2.5" SATA 3.0 HDD / SSD for storage
- ▶ 1x mPCIe, 1x M.2 Key B for expansion

POSSIBILITIES START HERE



kontron

SmartClient-SLU

17" / 21.5" 10-POINT PCT FLAT PANEL PC WITH 6TH GEN INTEL® CORE™ / CELERON® U-SERIES PROCESSORS

Powered by 6th Generation Intel® Core™ / Celeron® U-Series Processors, Kontron SmartClient-SLU Flat Panel PC has greatly improved graphics performance, power efficiency and wireless connectivity. In addition to 1x DP, 1x HDMI 2.0, 2x GbE LAN, 4x USB 3.0 and 2x RS232/422/485 for display output, Ethernet and peripheral applications, it reserves 1x mPCIe and 1x M.2 Key B for wireless, storage or other possible functional expansion.

10-point PCT multi-touch function is its another important feature, which can provide comfortable viewing experience to operators. In

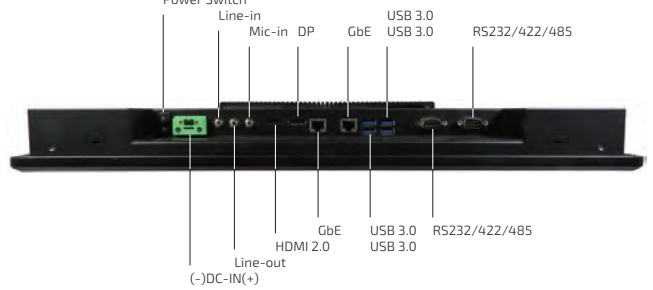
addition to conventional square screen, SmartClient-SLU provides 16:9 widescreen models, making easy multi-window display without toggling.

Finally, the IP65-rated flat panel front design with 6H hardness glassy surface can provide good resistance against water spray, contamination, scratch or abrasion, making it suitable for harsh environments. It is therefore ideal for a wide range of industrial applications.

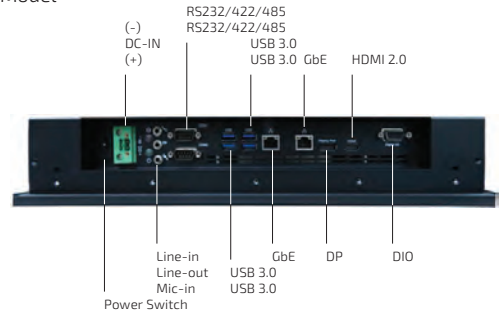
▶ PRODUCT HIGHLIGHTS

- ▶ 17" square-screen 10-point PCT multi-touch LCD display
- ▶ 21.5" widescreen 10-point PCT multi-touch LCD display
- ▶ 6th Generation Intel® Core™ U-Series Processors
- ▶ 2x DDR4 SO-DIMM memory socket
- ▶ 1x DP, 1x HDMI 2.0 for secondary / tertiary display
- ▶ 2x GbE LAN for Ethernet
- ▶ 4x USB 3.0 for USB device connection
- ▶ 2x RS232/422/485 for serial device connection
- ▶ 8-bit DIO for device / signal control (17" model only)
- ▶ 1x 2.5" SATA 3.0 HDD / SSD for storage
- ▶ 1x mPCIe, 1x M.2 Key B for expansion
- ▶ Passive cooling design
- ▶ IP65-rated front design
- ▶ Flat panel design
- ▶ Glass hardness of 6H

▶ 21.5" Model

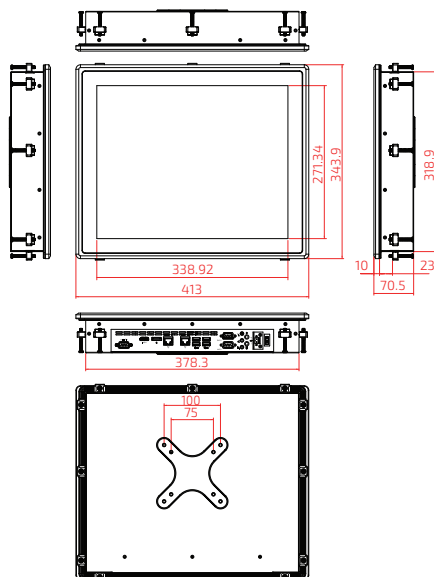


▶ 17" Model

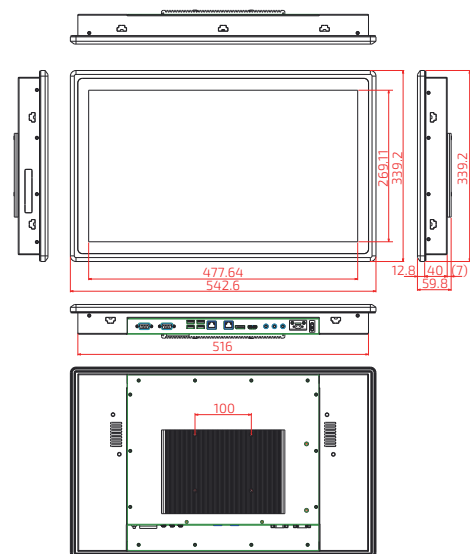


▶ MECHANICAL DIMENSIONS

▶ 17" Model



▶ 21.5" Model



unit: mm

► TECHNICAL INFORMATION

SYSTEM	PROCESSOR	Intel® Core™ i5-6300U (Dual Core, 3M Cache, up to 3.00 GHz, FCBGA1356, 15 W TDP) Intel® Core™ i3-6100U (Dual Core, 3M Cache, 2.30 GHz, FCBGA1356, 15 W TDP)
	MEMORY	2x DDR4 2133 SO-DIMM up to 16 GByte
VIDEO	GRAPHICS	Intel® HD Graphics 520
	DISPLAY SIZE	21.5 inch 17 inch
	ASPECT RATIO	16:9 5:4
	BACKLIGHT	LED LED
	RESOLUTION	1920 x 1080 Full HD 1280 x 1024 SXGA
	BRIGHTNESS (cd/m², typ.)	250 350
	CONTRAST RATIO (typ.)	5000:1 1000:1
	COLOR	16.7M 16.2M
	VIEWING ANGLE (L/R/H/L)	89° / 89° / 89° / 89° 85° / 85° / 80° / 80°
	TOUCH	10-point PCT 10-point PCT
	DISPLAY INTERFACE	1x DP (on rear, 4096 x 2304 @ 60 Hz) 1x HDMI 2.0 (on rear, 4096 x 2160 @ 60 Hz)
	MULTIPLE DISPLAY	Triple
AUDIO	AUDIO CODEC	Realtek ALC662
	AUDIO INTERFACE	2x Speaker-out (3 W, 21.5" model only) 1x Line-in (on rear) 1x Line-out (on rear) 1x Mic-in (on rear)
NETWORK CONNECTION	ETHERNET	2x GbE LAN (RJ45 on rear, 1x Intel® I219-LM, 1x Intel® I210-AT)
PERIPHERAL CONNECTION	USB	4x USB 3.0 (Type A on rear)
	SERIAL PORT	2x RS232/422/485 (DB9 on rear, w/ auto flow control for RS485)
	Other I/Os	1x DIO (DB9 Female on rear, 17" model only)
STORAGE & EXPANSION	SATA	1x 2.5" SATA 3.0 HDD / SSD
	mPCIe	1x mPCIe (full size)
	M.2	1x M.2 Key B Socket (Type 2242, mixed w/ USB 2.0 or SATA)
	SIM CARD HOLDER	1x SIM Card Cage (optional, switchable for mPCIe or M.2)
POWER	INPUT VOLTAGE	DC 12 V
	CONNECTOR	2-pin Phoenix Connector (on rear)
FIRMWARE	BIOS	AMI uEFI BIOS w/ 128 Mb SPI Flash
	WATCHDOG	Programmable WDT to generate system reset event
	H/W MONITOR	Voltages, Temperatures
	REAL TIME CLOCK	Processor integrated RTC
	SECURITY	TPM 1.2 support for Core™ i7 / i5 (Infineon SLB 9660)
	iAMT	iAMT support for Core™ i7 / i5
SYSTEM CONTROL	BUTTON & SWITCH	1x Power Switch (on rear) 1x Power LED (on rear, 17" model only) 1x Storage LED (on rear, 17" model only)
COOLING	COOLING METHOD	Passive
SOFTWARE	OS SUPPORT	Windows 7, Windows 8, Windows 10, Linux
MECHANICAL	CONSTRUCTION	Glass Surface + Slim Aluminum Frame + Metal Chassis Aluminum Heat Sink (21.5" model only)
	DIMENSIONS (W x H x D)	542.6 mm x 339.2 mm x 59.8 mm 413.0 mm x 343.9 mm x 70.3 mm (21.36" x 13.35" x 2.35") (16.26" x 13.54" x 2.77")
	WEIGHT	7,000 g (15.43 lb) 5,700 g (12.57 lb)
	MOUNTING	VESA Mount, Panel Mount
ENVIRONMENTAL	OPERATION TEMPERATURE	0 °C ~ 50 °C / 32 °F ~ 122 °F
	STORAGE TEMPERATURE	-20 °C ~ 70 °C / -4 °F ~ 158 °F
	HUMIDITY	0 % ~ 95 %
CERTIFICATION	EMC & SAFETY	CE Class B, FCC Class B
	INGRESS PROTECTION	IP65 (front)

▶ ORDERING INFORMATION

ARTICLE	DESCRIPTION
SmartClient-SLU2-215-P	21.5" 16:9 10-point PCT, Intel® Core™ i5-6300U, w/ Speaker-out, w/o DIO, w/ TPM, w/ iAMT
SmartClient-SLU1-170-P	17" 5:4 10-point PCT, Intel® Core™ i3-6100U, w/o Speaker-out, w/ DIO, w/o TPM, w/o iAMT
OPTIONAL ACCESSORIES	
VESA MOUNTING KIT *	Hole pattern: 100 mm x 100 mm & 75 mm x 75 mm, dimension: 163 mm x 130 mm
POWER ADAPTER	Input: AC 100 V ~ 240 V, Output: DC 12 V
POWER CORD	EU / US / UK / JP / CN / AU type depending on country

The asterisk (*) means optional item.

▶ PRODUCT CONTACT POINT

KONTRON ASIA INC.

4F, No. 415, Ti-Ding Blvd., Sec. 2,
Neihu District, Taipei, Taiwan 114741
Tel.: + 886 2 2799 2789
Fax: + 886 2 2799 7399
SalesAsia@kontron.com
www.kontron.com