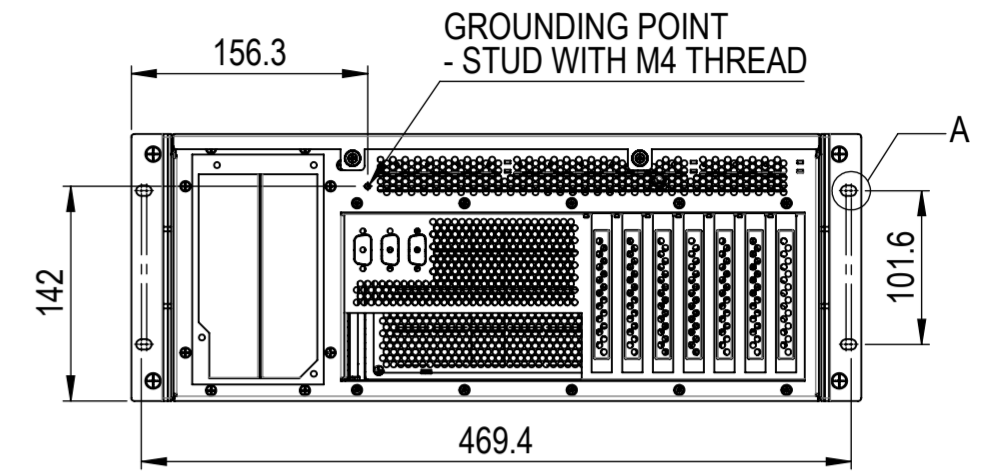
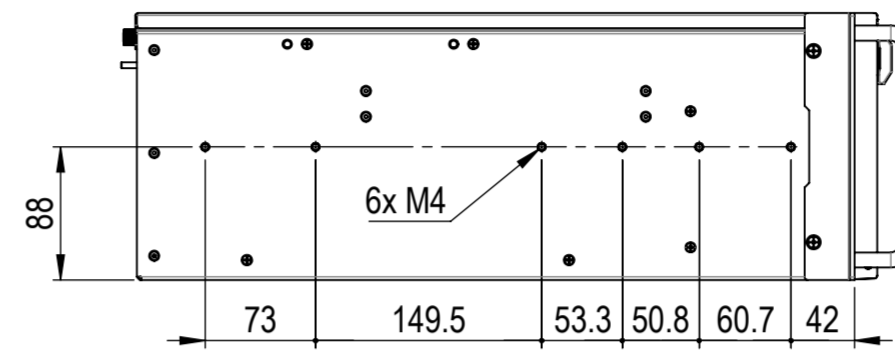
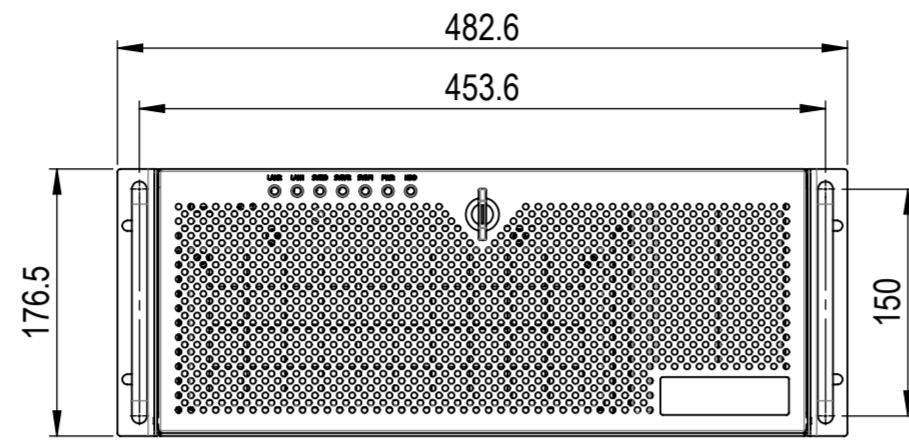
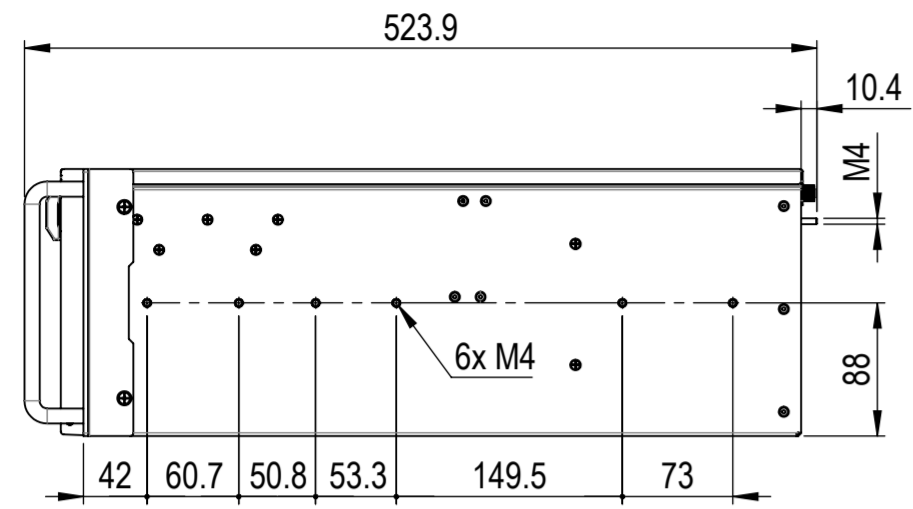
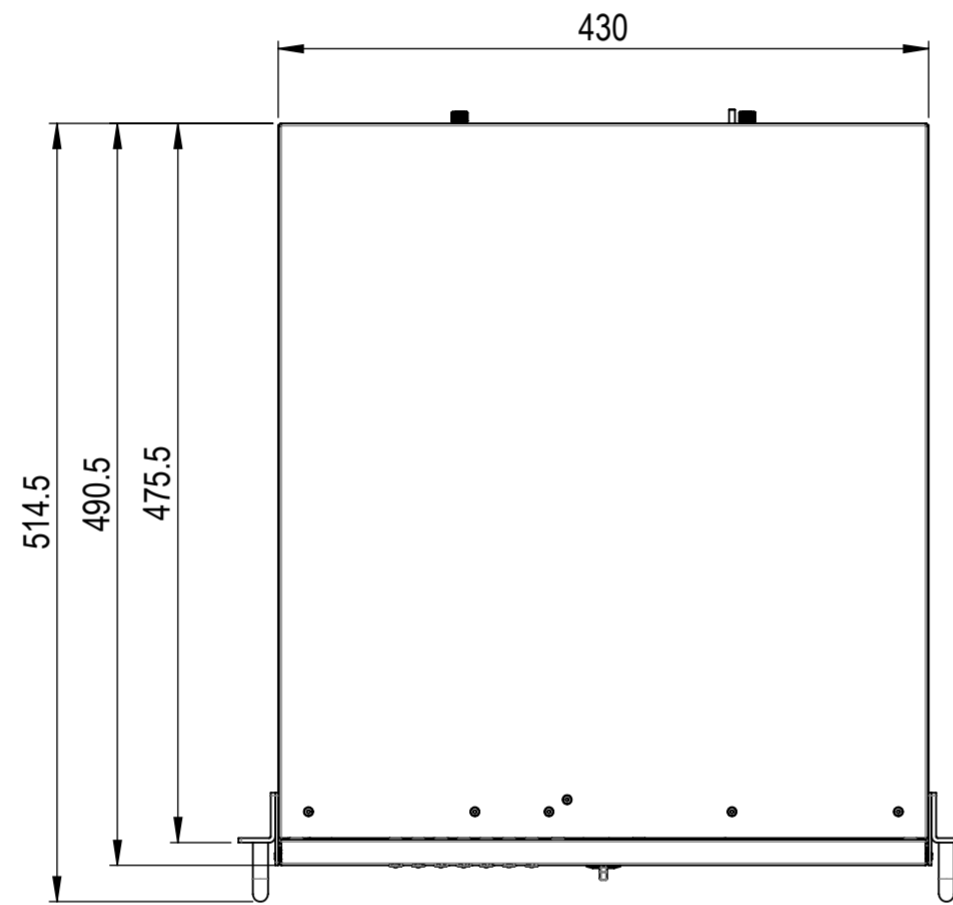
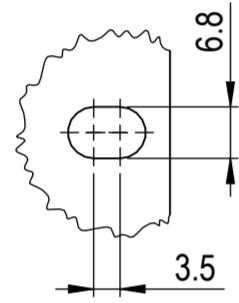


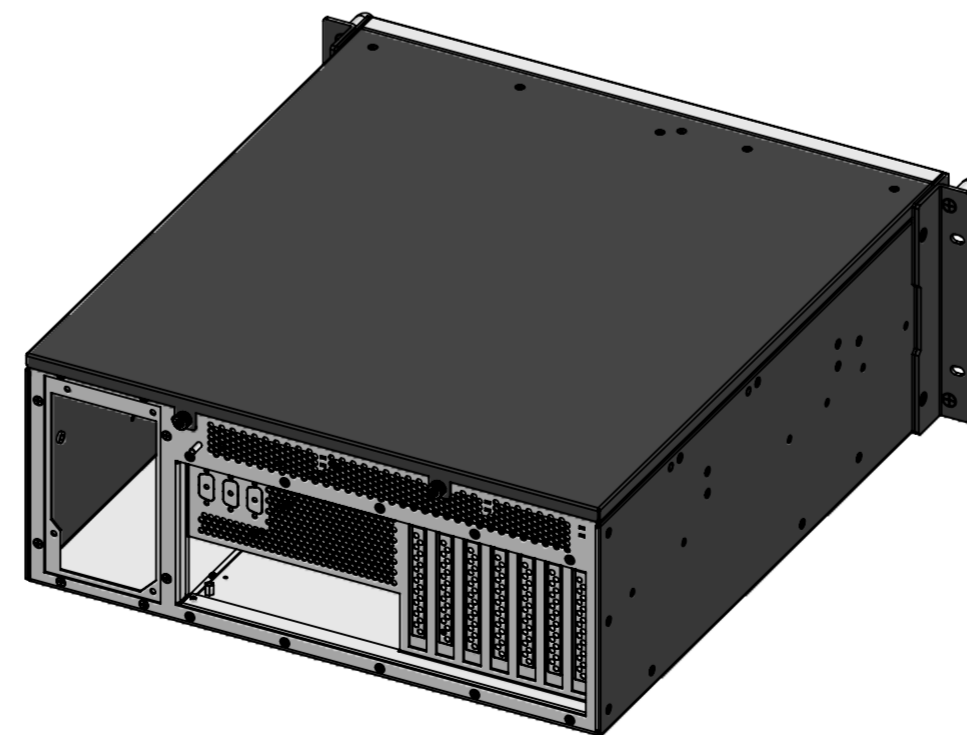
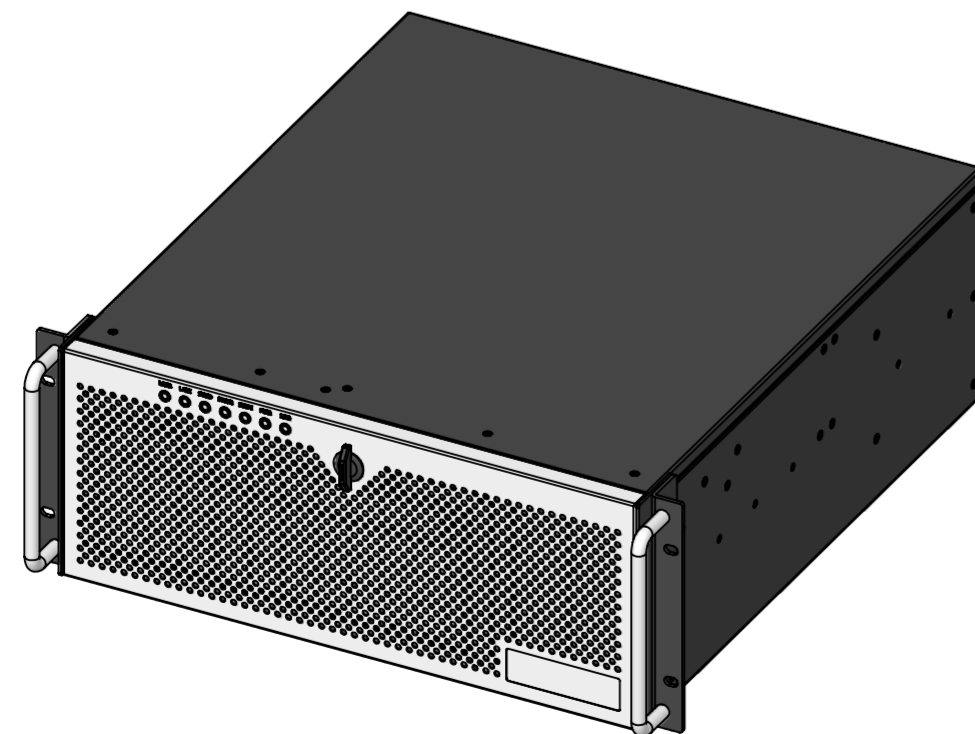
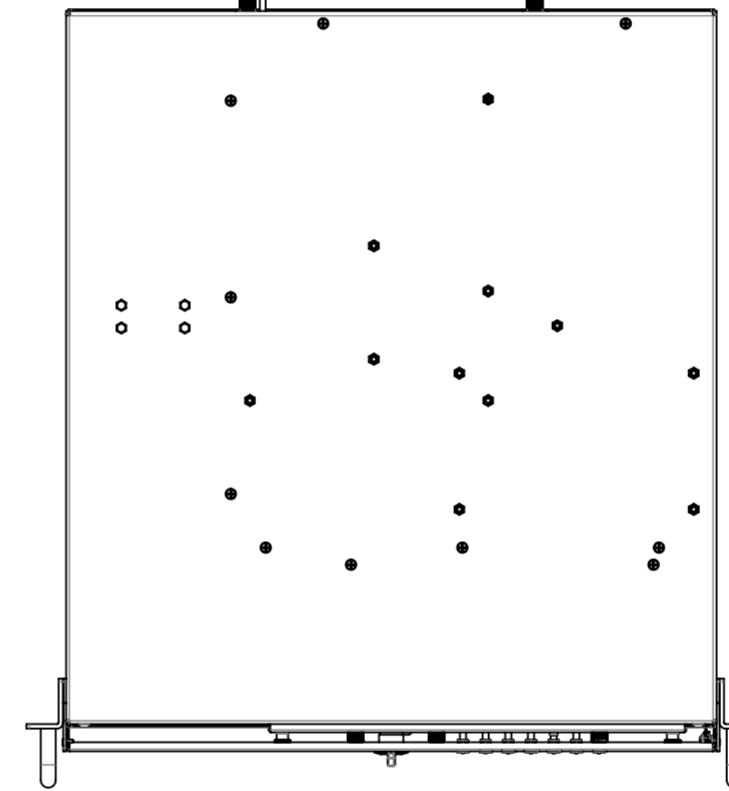
FRONT DOOR CLOSED



DETAIL A
SCALE 1:1



BOTTOM VIEW

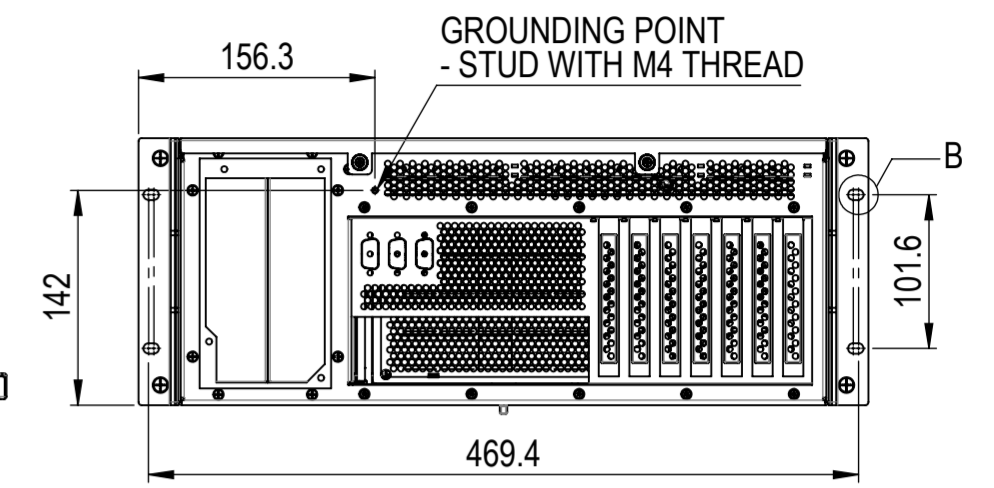
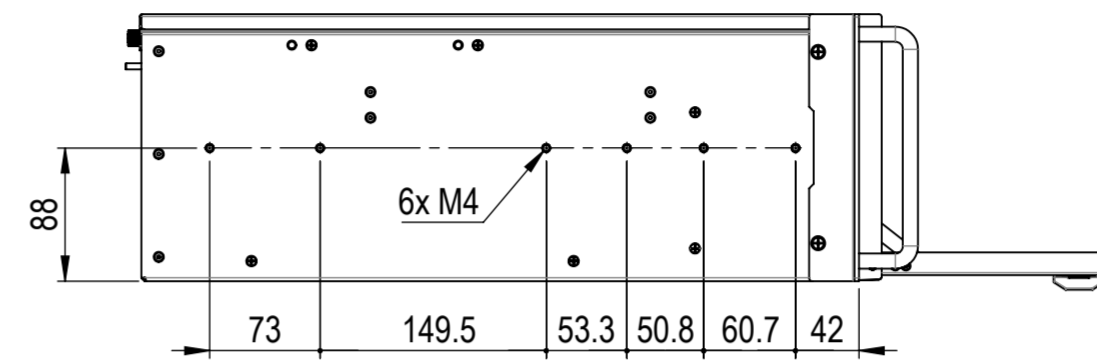
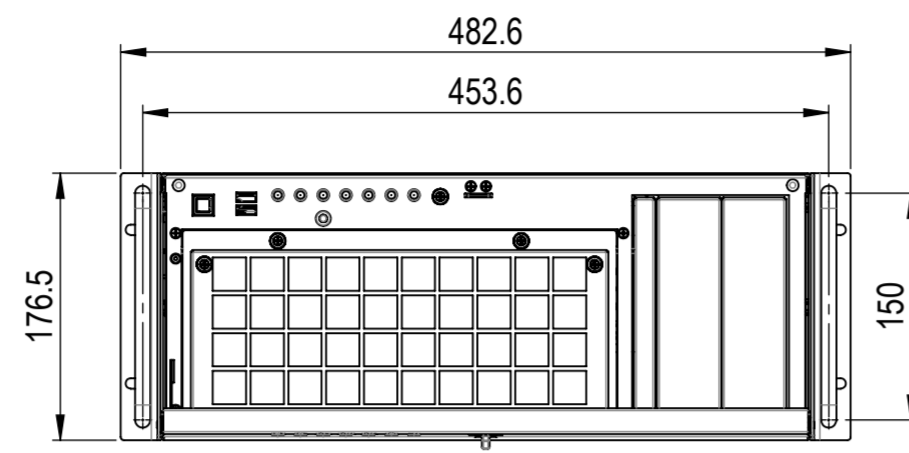
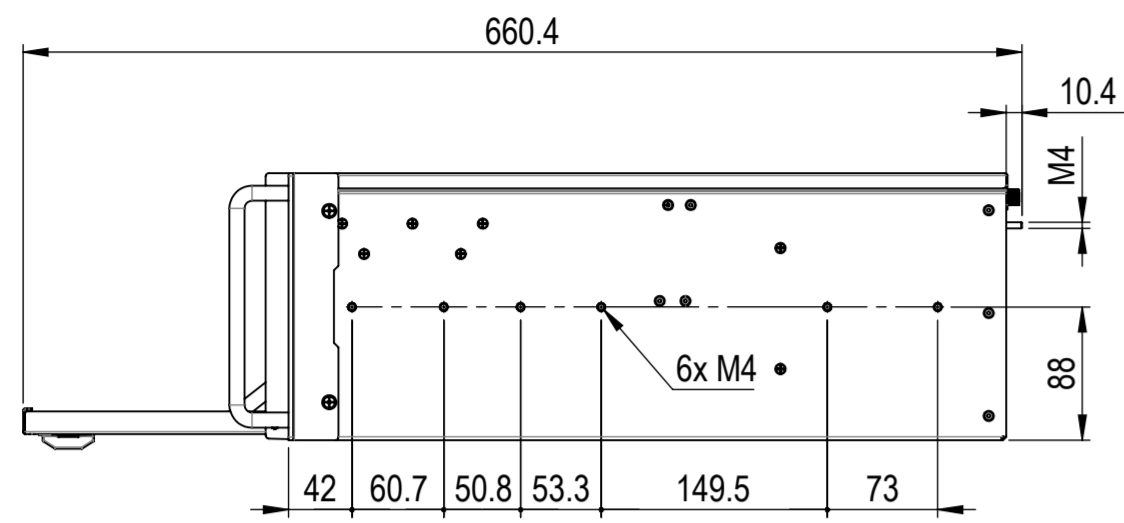


General:
Undimensioned shape according to 3D model.
Surface in visible area must be scratches free.
Normal Handling should be free from risk of injury.
Following specifications must be considered:
- Technical Procurement Specification Mechanics
- KISS 4U... Cosmetic Specification

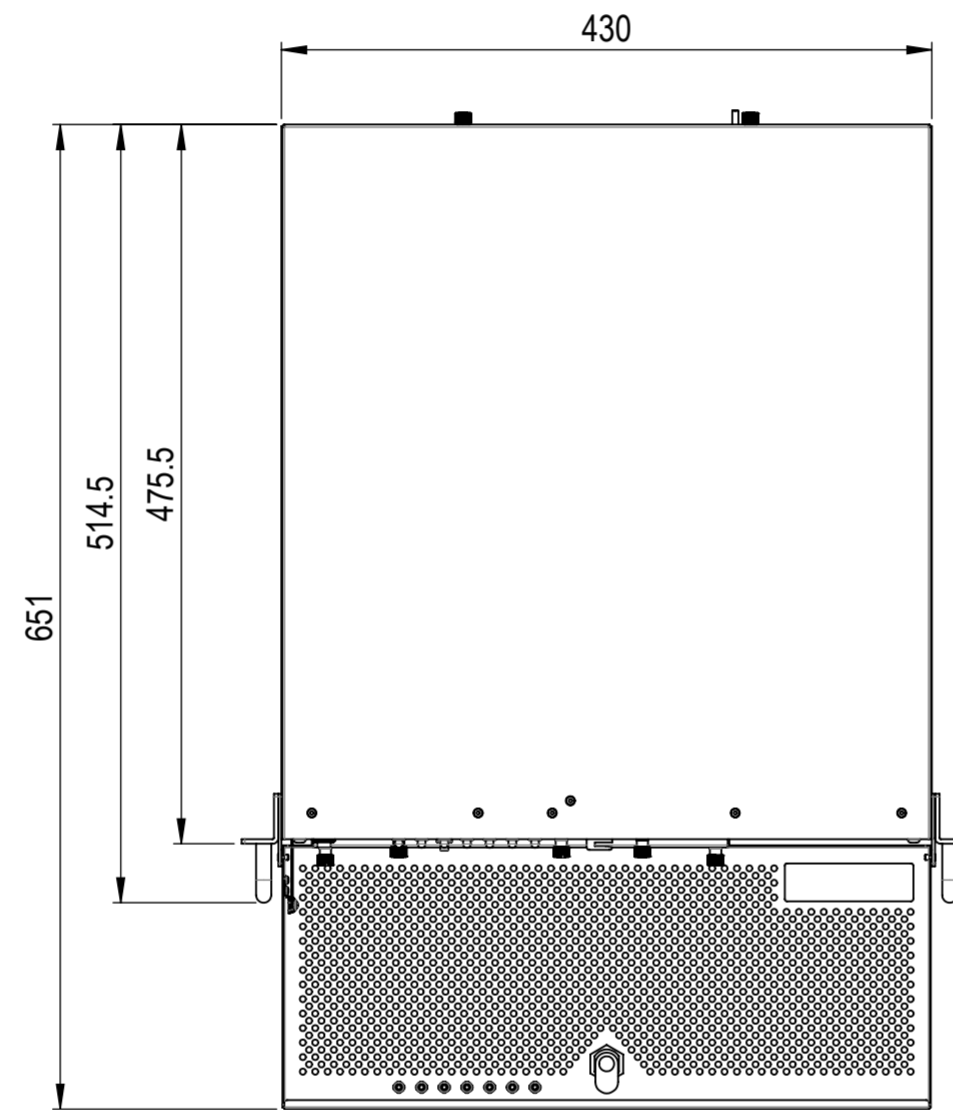
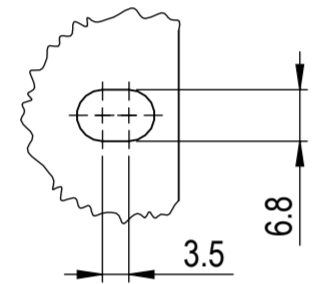
TOLERANCES APPLY ONLY TO DESIGNATED DIMENSIONS, UNLESS OTHERWISE SPECIFIED:		DRAWN: 28.05.2019 TOMAS PASZEK		TOLERANCES: SEE TABLE		PART NO: 10141-099-02		PROJECT / CONTRACT NO: 60-60072	
HOLE TO HOLE ±0.1mm		BEND TO HOLE ±0.2mm		CHECKED: 28.05.2019 TOMAS PASZEK		MATERIAL / FINISH: ...		PART NAME: KISS 4U V3 SKX OUTLINE DRAWING	
EDGE TO HOLE ±0.1mm		BEND TO EDGE ±0.2mm		APPROVED: 28.05.2019 TOMAS PASZEK		DRAWING NUMBER: 10141-099-02		REVISION: A	
EDGE TO EDGE ±0.2mm		BEND TO BEND ±0.2mm		OTHER: ...		SCALE: 1:5		SHEET: 1/2	
HOLE SIZE ±0.08mm		BEND ANGLE ±0.5 DEG		SITE / DIVISION: EMEA/PILSEN		SIZE: A2		SHEET: 1/2	



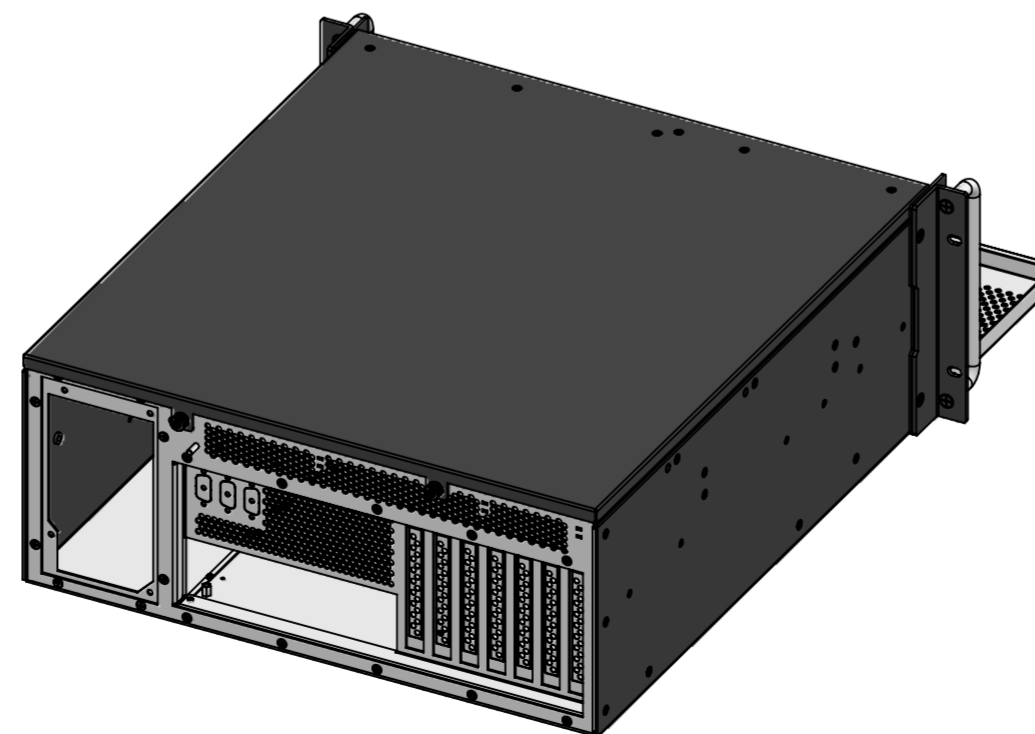
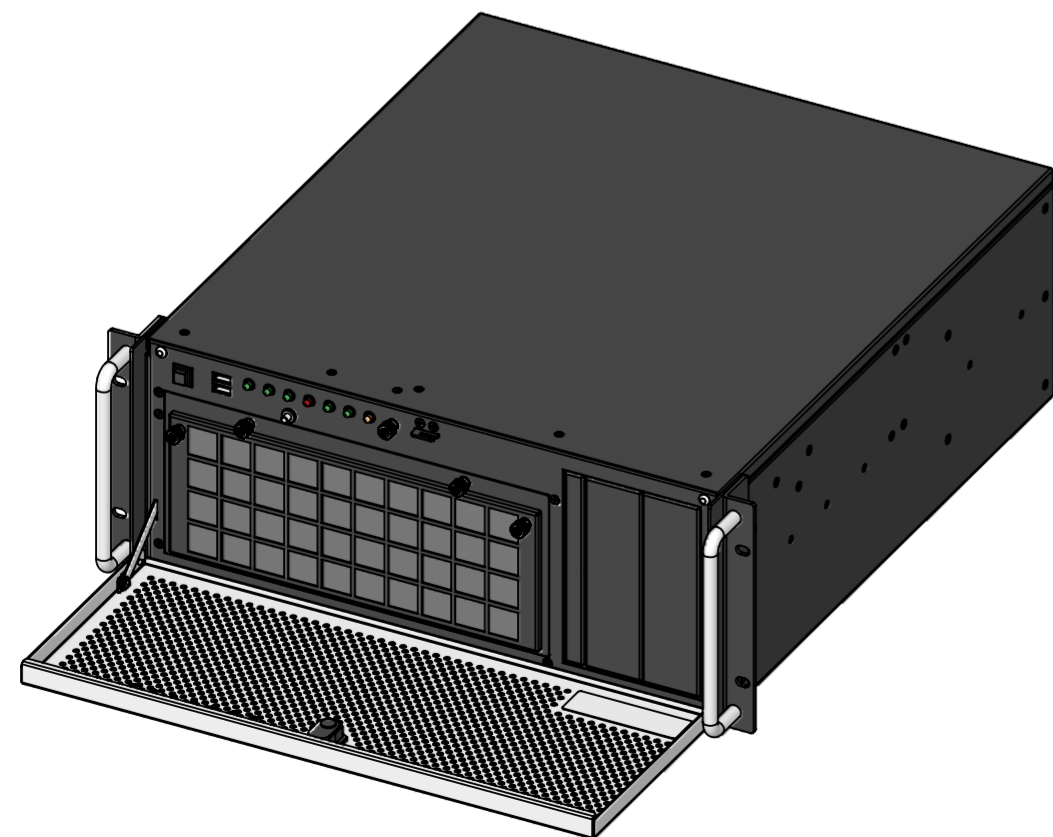
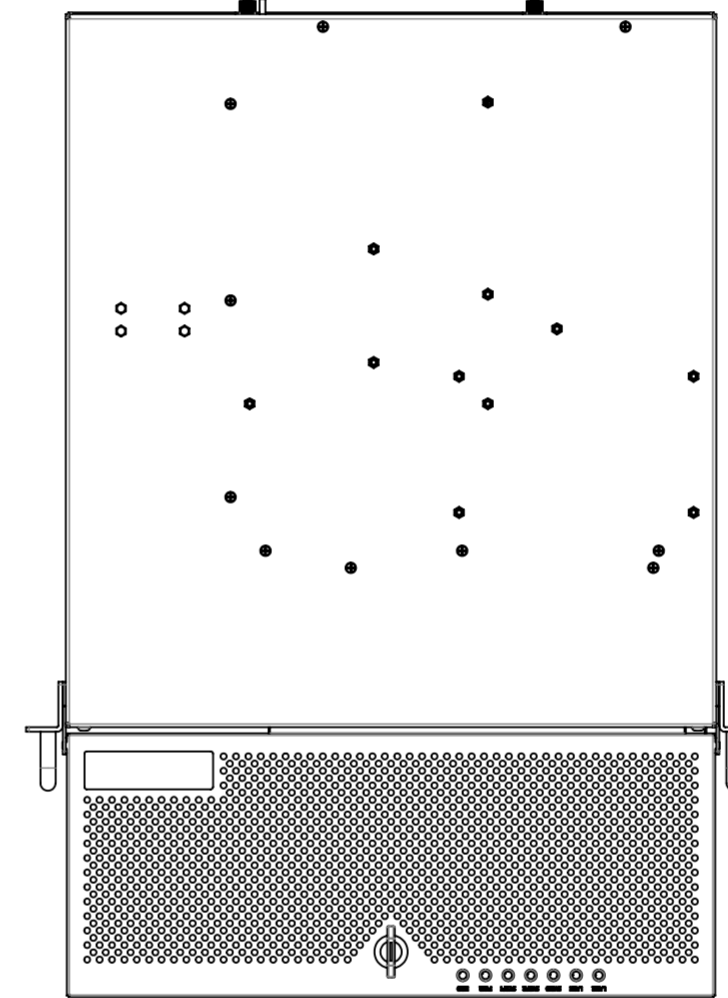
FRONT DOOR OPEN



DETAIL B
SCALE 1:1



BOTTOM VIEW



General:

Undimensioned shape according to 3D model.

Surface in visible area must be scratches free.
Normal Handling should be free from risk of injury.

Following specifications must be considered:

- Technical Procurement Specification Mechanics
- KISS 4U... Cosmetic Specification

TOLERANCES APPLY ONLY TO DESIGNATED DIMENSIONS, UNLESS OTHERWISE SPECIFIED:		DRAWN: 28.05.2019 TOMAS PASZEK		TOLERANCES: SEE TABLE		PART NO: 10141-099-02		PROJECT / CONTRACT NO: 60-60072	
HOLE TO HOLE ±0.1mm		BEND TO HOLE ±0.2mm		CHECKED: 28.05.2019 TOMAS PASZEK		MATERIAL / FINISH		DRAWING NUMBER: 10141-099-02	
EDGE TO HOLE ±0.1mm		BEND TO EDGE ±0.2mm		APPROVED: 28.05.2019 TOMAS PASZEK		PART NAME: KISS 4U V3 SKX OUTLINE DRAWING		REVISION: A	
EDGE TO EDGE ±0.2mm		BEND TO BEND ±0.2mm		OTHER: ---		ALL DIMENSIONS IN MILLIMETERS DO NOT SCALE DRAWING		SHEET: 2/2	
HOLE SIZE ±0.08mm		BEND ANGLE ±0.5 DEG		SITE / DIVISION: EMEA/PILSEN		SCALE: 1:5		SHEET: 2/2	

