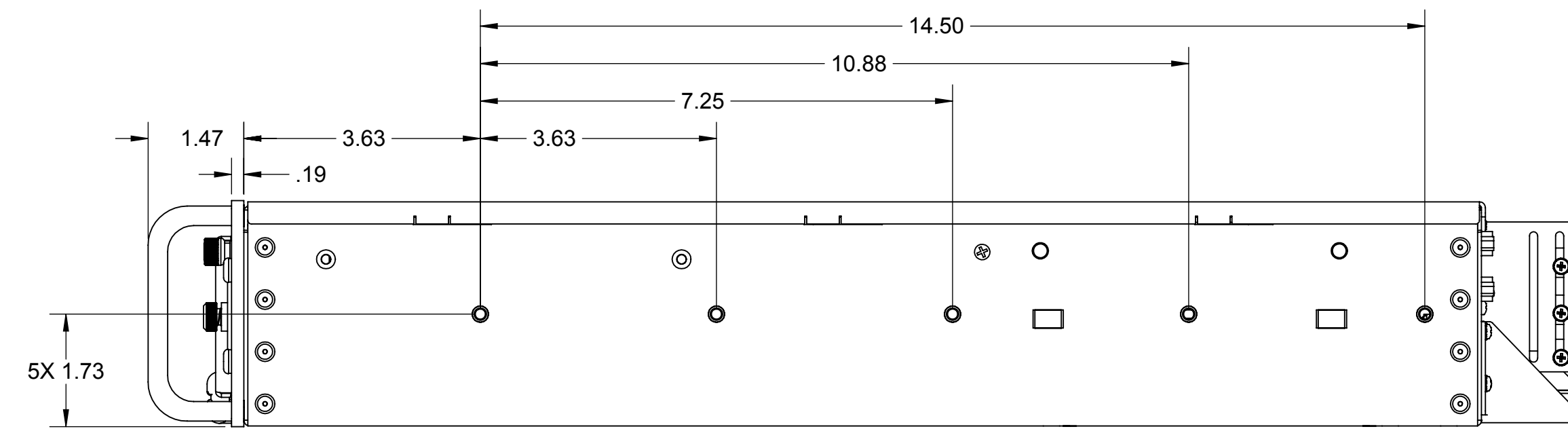
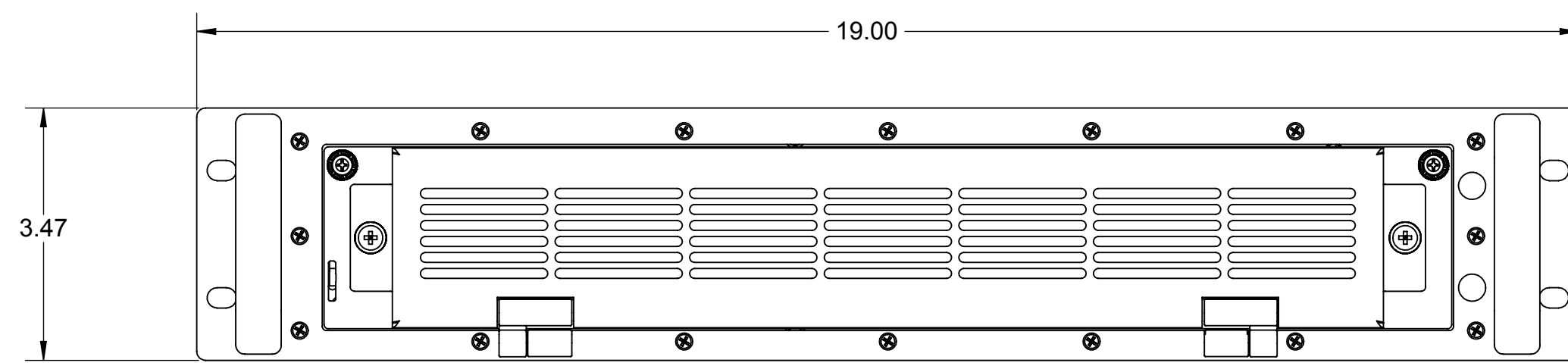
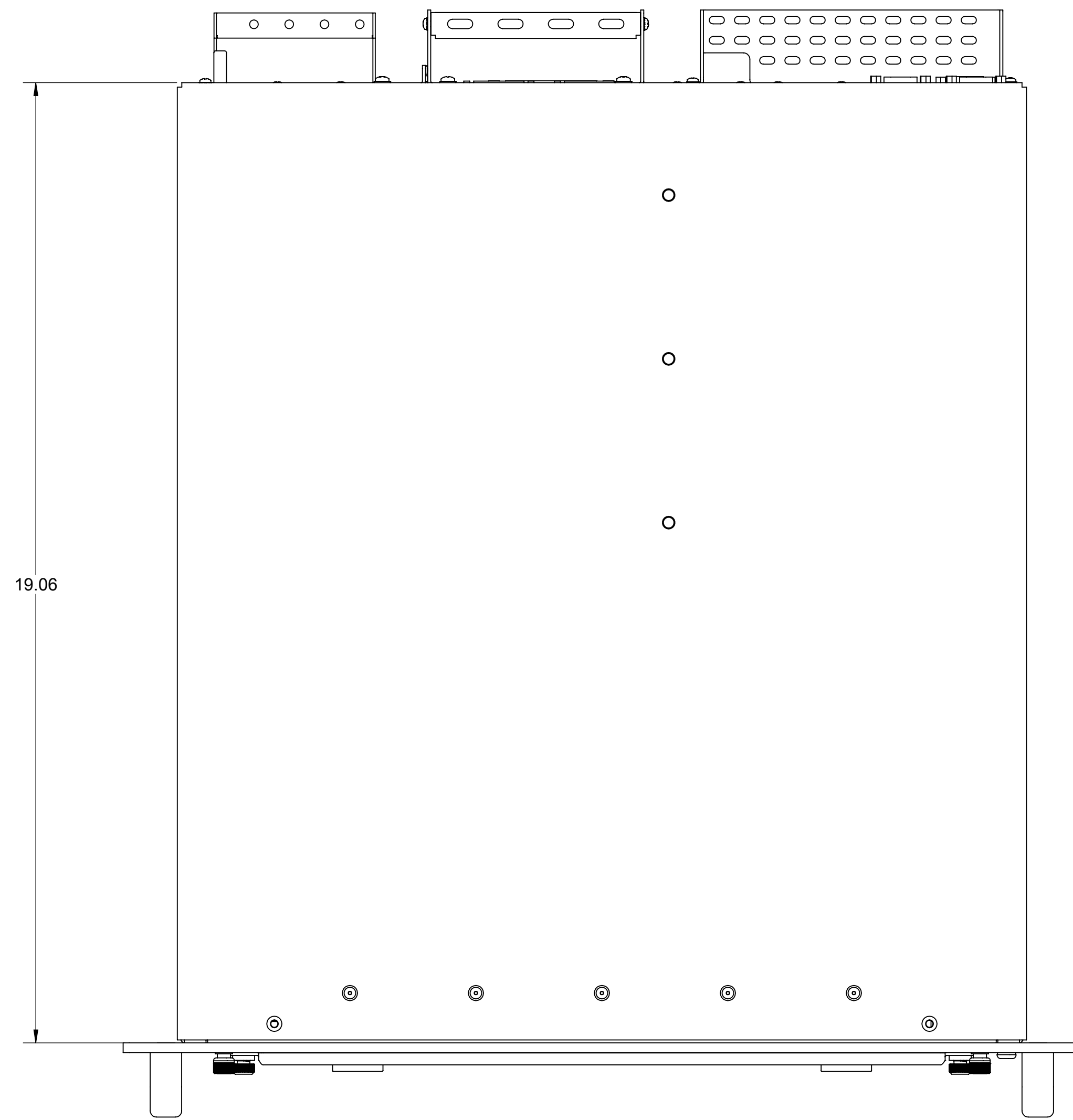


REVISIONS				
LTR	ECO NO.	DESCRIPTION	DATE	APPROVED
-		ENGINEERING DRAFT	07/29/14	JMV

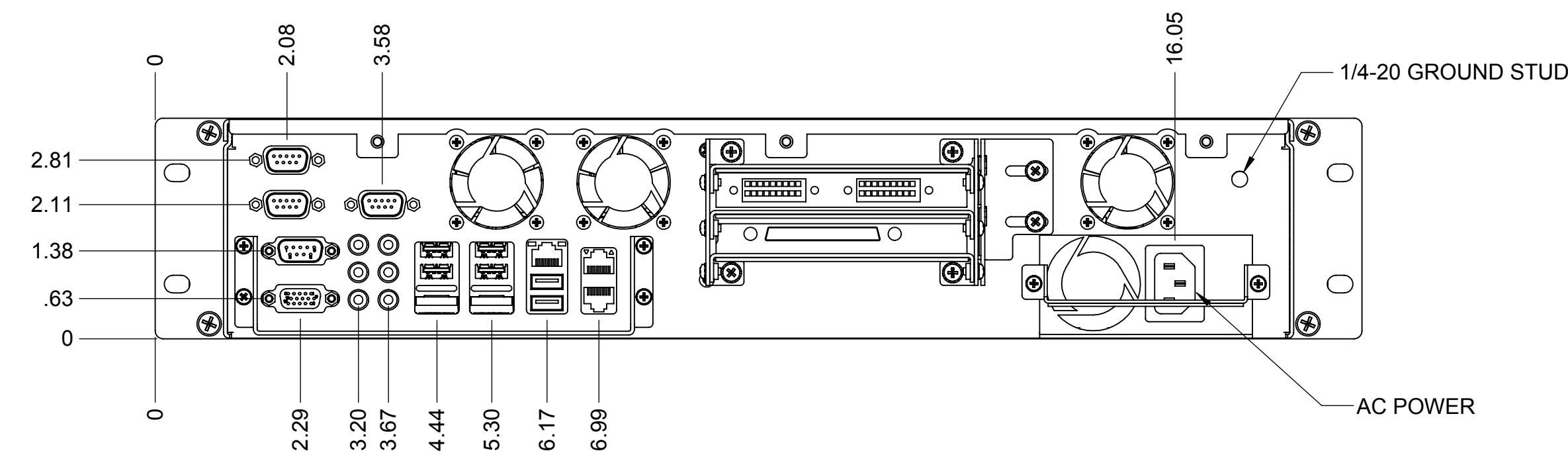


FRONT VIEW

DIMENSIONS APPLY TO BOTH SIDES

NOTES: UNLESS OTHERWISE SPECIFIED.

- PART SHALL CONFORM TO KONTRON AMERICA RoHS DIRECTIVE 2002/95/EC REQUIREMENT, 917-0002-00.
- PART SHALL CONFORM TO KONTRON AMERICA WORKMANSHIP STANDARD KNA-NPI-L3-0002, ON ALL APPLICABLE REQUIREMENTS.



REAR VIEW

COMPANY CONFIDENTIAL
THIS DRAWING IS PROPRIETARY TO *Kontron America* AND MAY NOT BE UTILIZED IN ANY MEANS, ELECTRONICS OR MECHANICAL, INCLUDING PHOTOCOPYING AND RETRIEVAL SYSTEM WITHOUT EXPRESS WRITTEN PERMISSION OF *Kontron America*.

SOURCE MODEL FILE NAME:		SOLIDWORKS SOURCE PROPERTY REV :	
UNLESS OTHERWISE SPECIFIED DIMENSIONS ARE IN INCHES TOLERANCES ARE::		CAD GENERATED DRAWING, DO NOT MANUALLY UPDATE	
DECIMALS:	ANGLES:	APPROVALS	DATE
.X ± .1	.X° ± .5°	DRAWN JMV	07/29/14
.XX ± .03		CHECKED	
.XXX ± .010		ENGINEER	
MATERIAL	FINISH	MFG ENG	QUAL ENG
3	4		
SIZE D		DRAWING NO. -	
SCALE: NONE		PROJECT NO. NONE	
SHEET		1 OF 1	



OUTLINE AND MOUNTING DRAWING, KISS OIL & GAS 2U

D
C
B
A
DATE OF CHG: 07/29/14
CHG BY: JMV
ECO #
REV. :