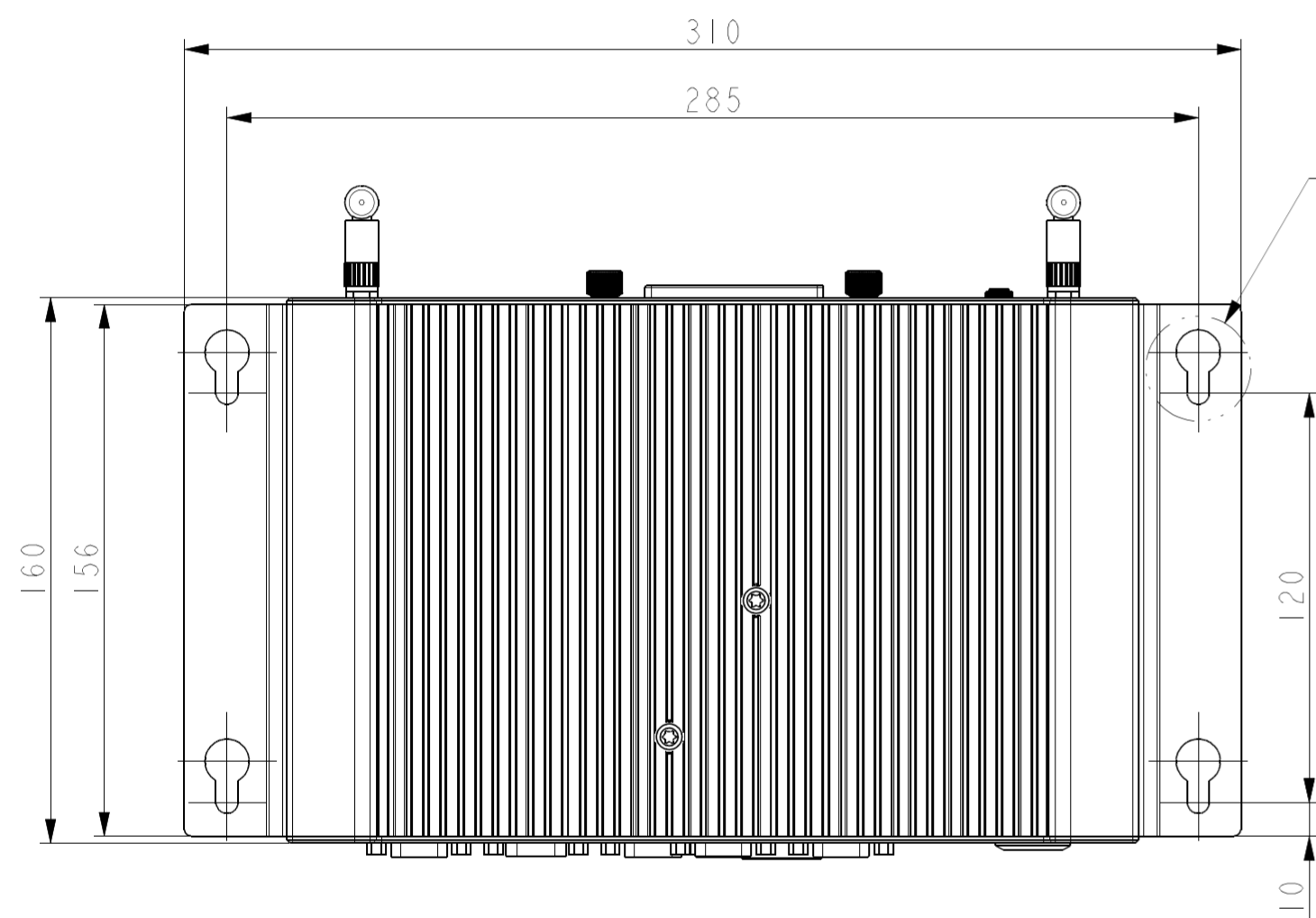
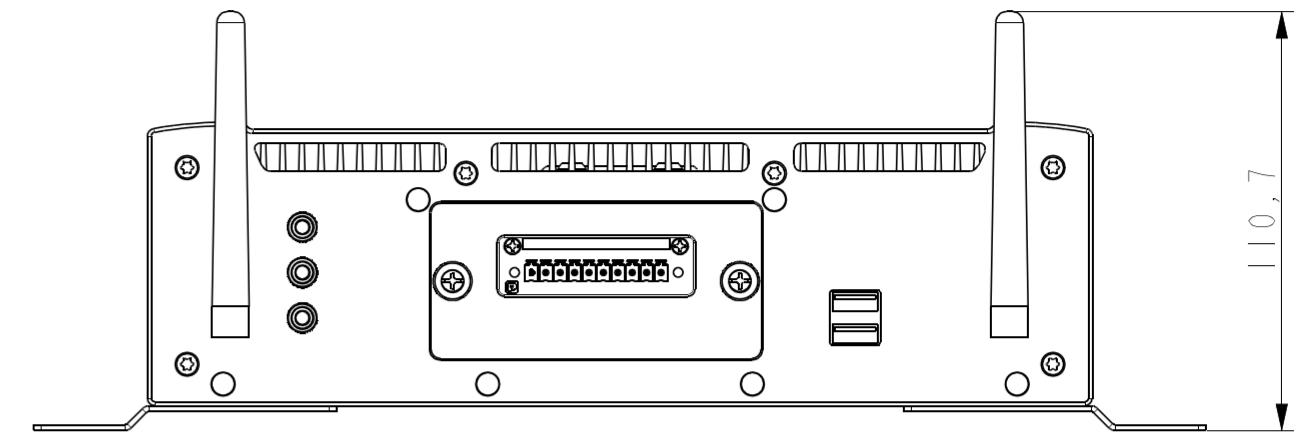
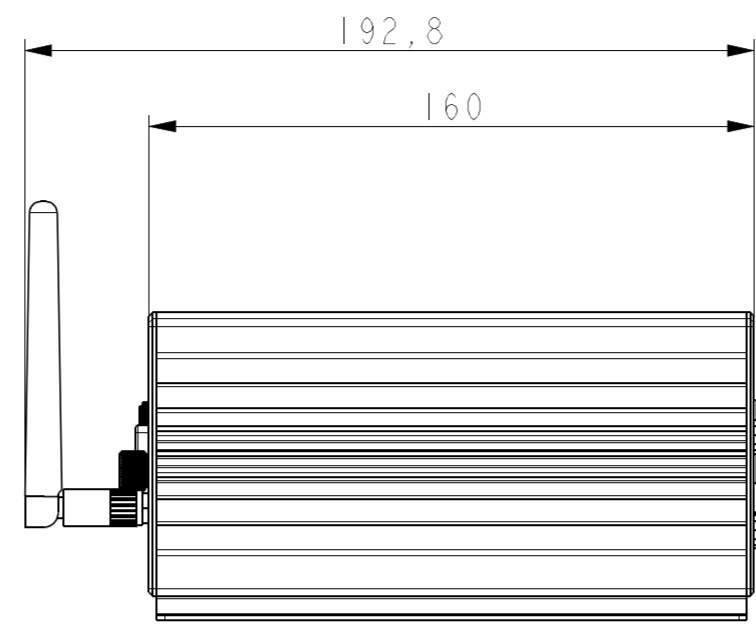
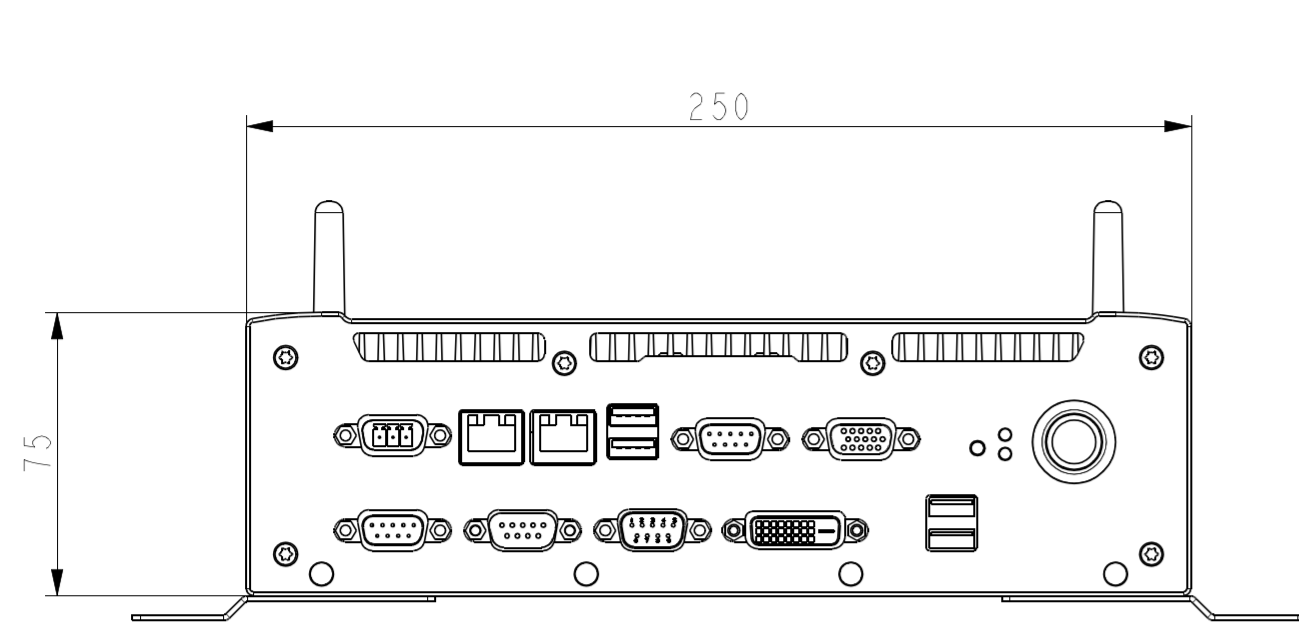
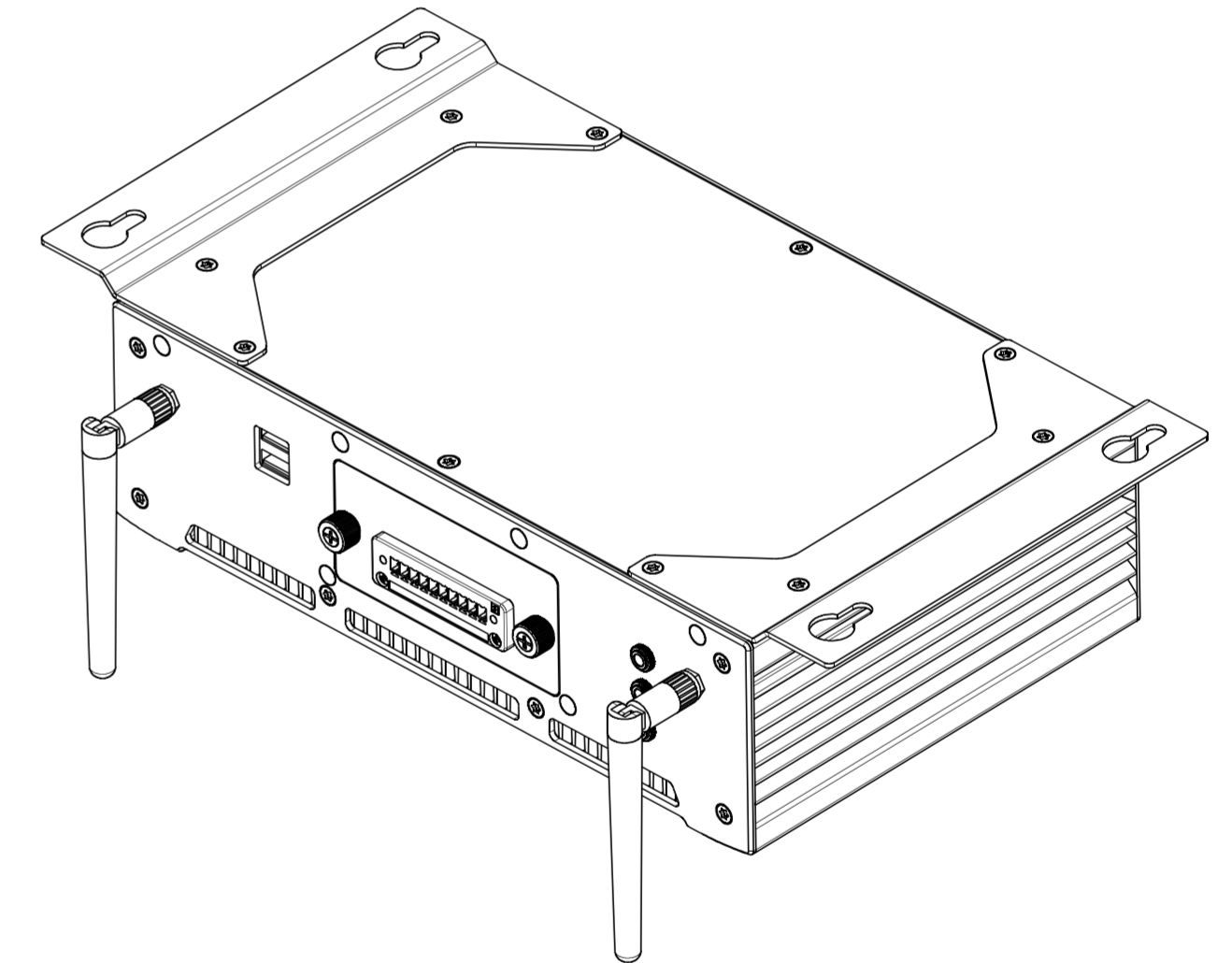
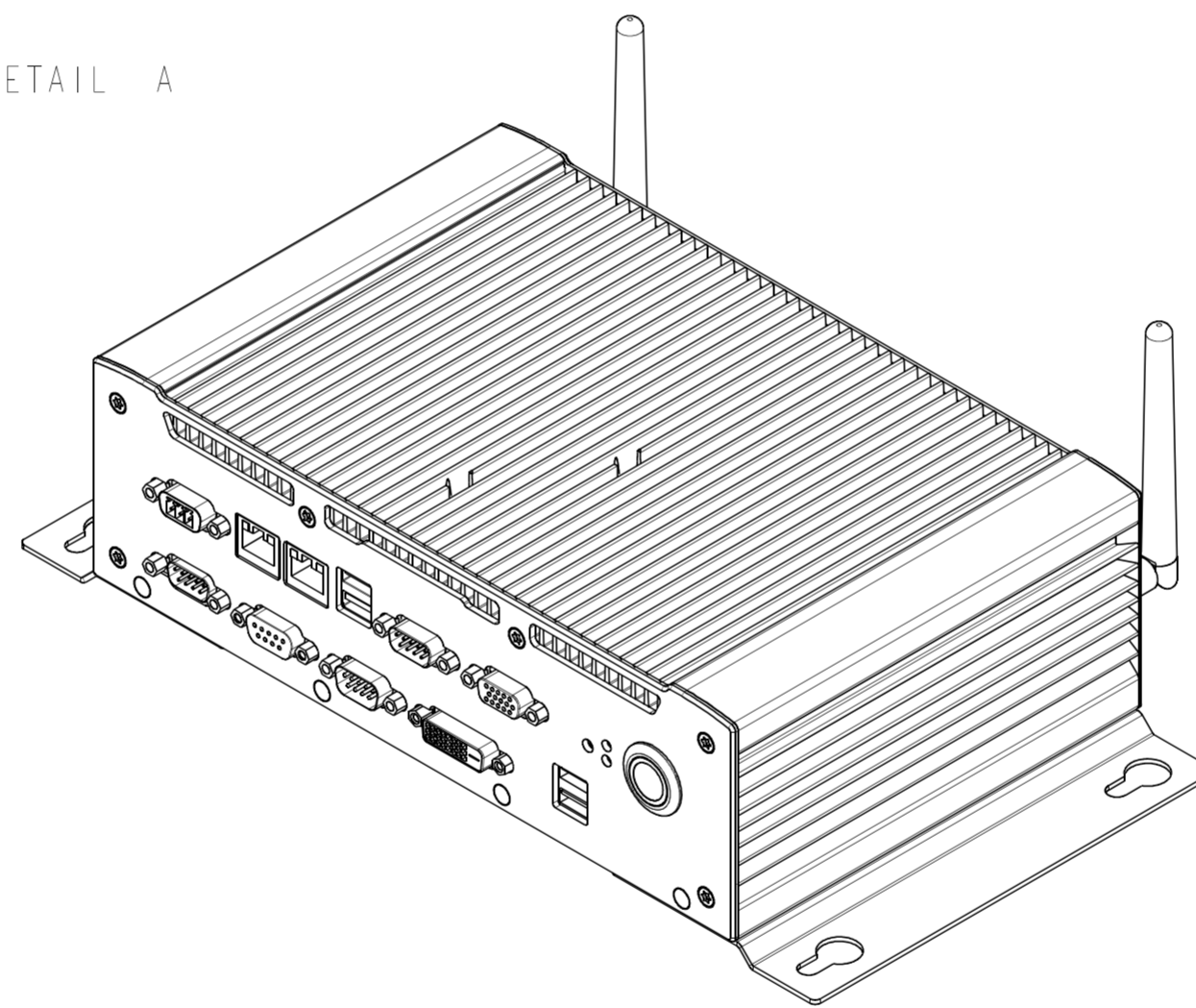


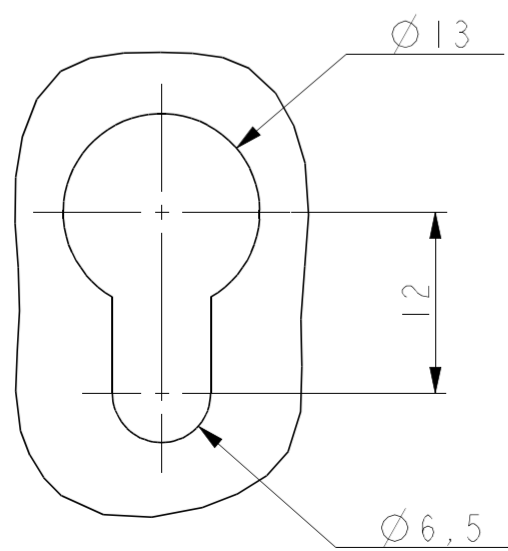
Option with Mounting Rails



SEE DETAIL A



DETAIL A
SCALE 2:1



NOTES:
 - PC BOX TO BE FREE OF GREASE AND OILS.
 - PC BOX TO BE PACKAGED TO PREVENT DAMAGE IN SHIPPING, HANDLING AND STORAGE.
 - ALL HOMOGENEOUS MATERIALS CONFORM TO THE EU DIRECTIVE 2002/95/EC (RoHS) (ACTUAL VERSION INCL. MAX. CONCENTRATION VALUES)

REFERENCE TABLE

Project	KONTRON Art. Nr.	Finish
CB 752		Blue chassis with Black F-R plates
MEDICAL CB		White painted RAL9002
will be defined	will be defined	will be defined
will be defined	will be defined	will be defined
will be defined	will be defined	will be defined

Schutzvermerk nach DIN 34 beachten ! Regard proprietary right according to DIN 34 !		Masse ohne Toleranzangabe Dim. without tolerance descrpt.	DIN 6 Teil 1 Part 1	Massstab/Scale: 1:2	Art./Part No. ----
			Datum/Date	Name	
			Bearb./Dran. 11.03.2010	T. Paszek	
			Gepr./CBHd.		
			Ges./Notice		
			Order 24.08.09	T. Panik	
			Benennung/Title		
			Box Concept CB752		
			Zeichn./Drawing Nr.:		
			10069-001-01A		
A	released	11.03.10	P.C.	T.P.	
XI	prototype	08.03.10	T.P.	T.P.	
Index	Änderung/Change	Datum/Date	Name	Order	CAO No.:
					10069-001-01//
					Masse/Weight (kg): 137774736, 922