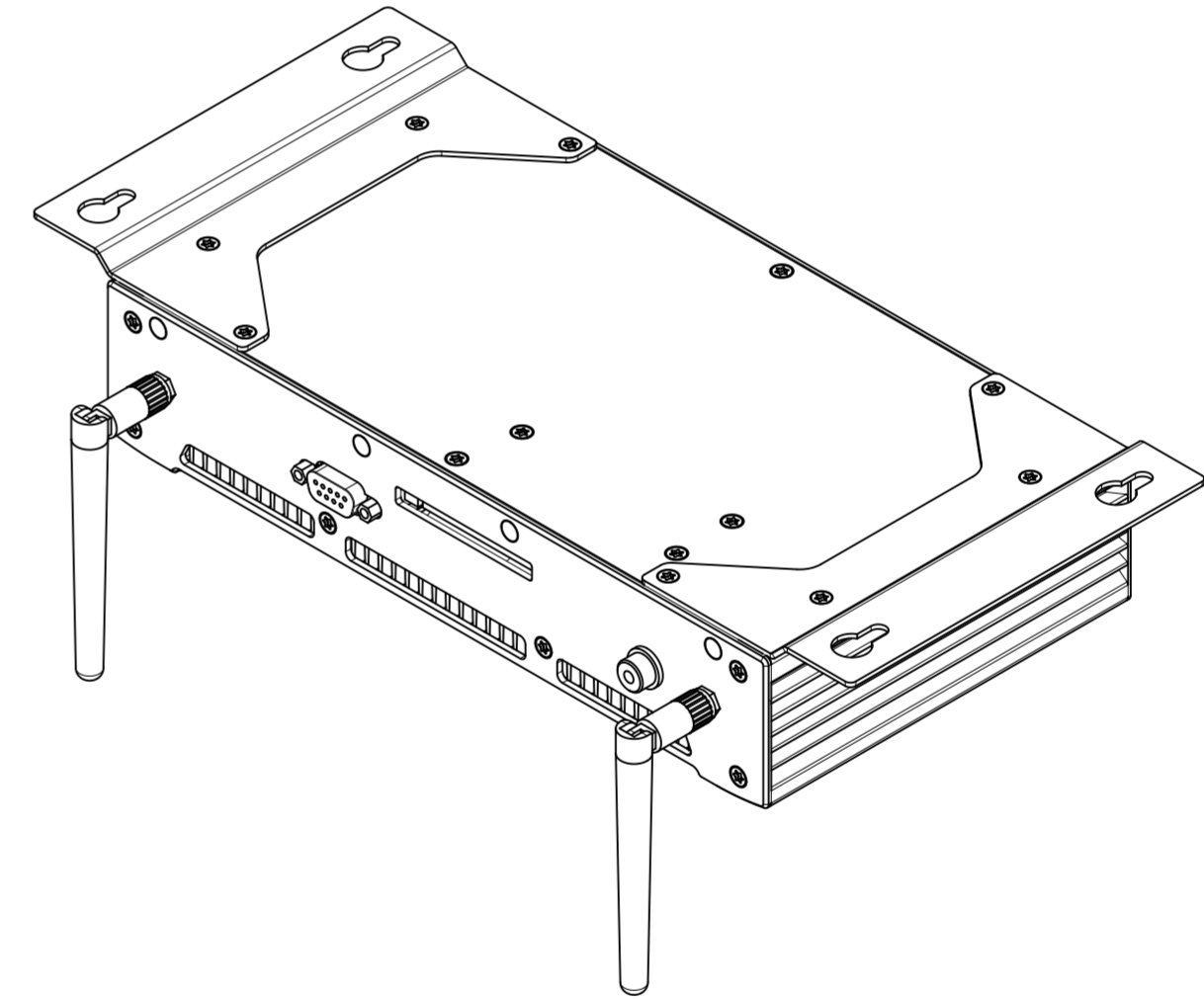
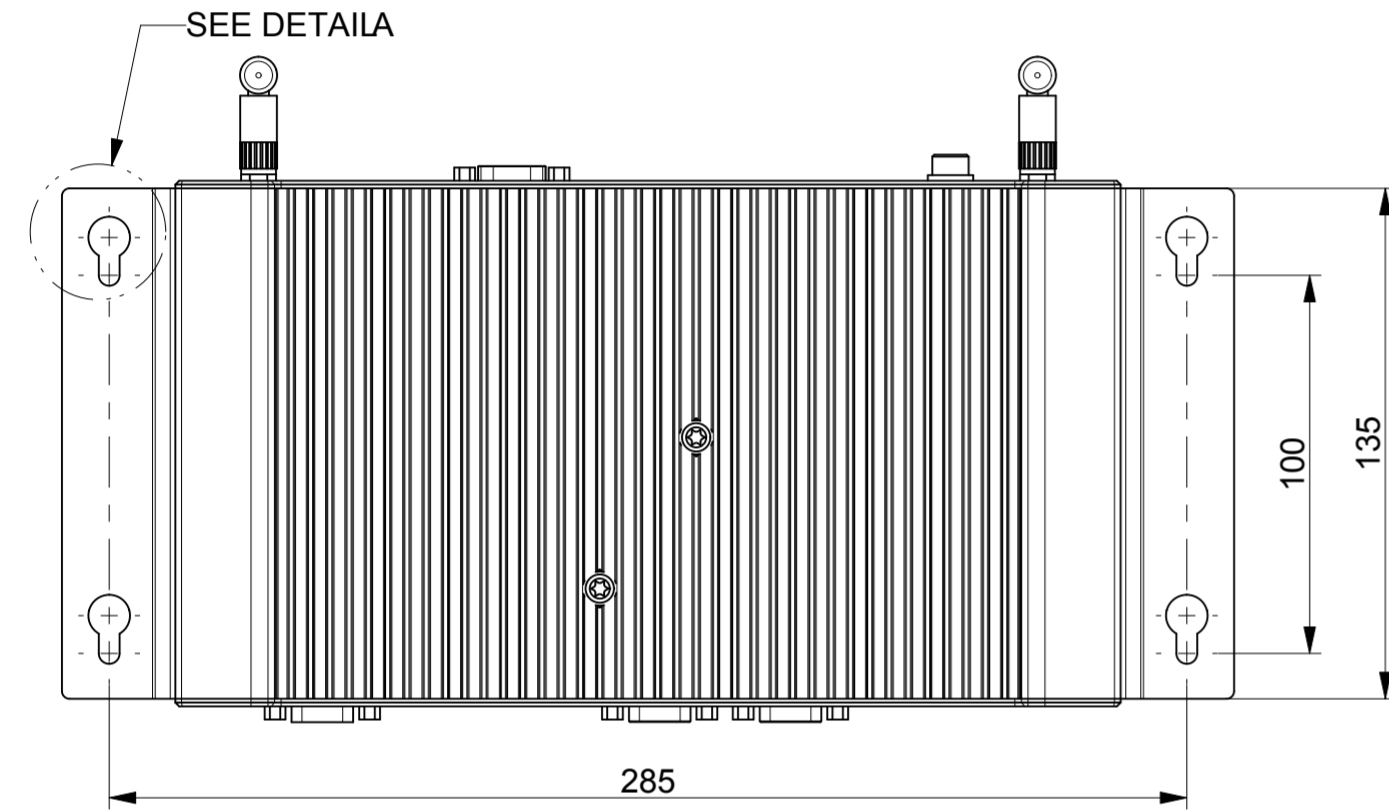
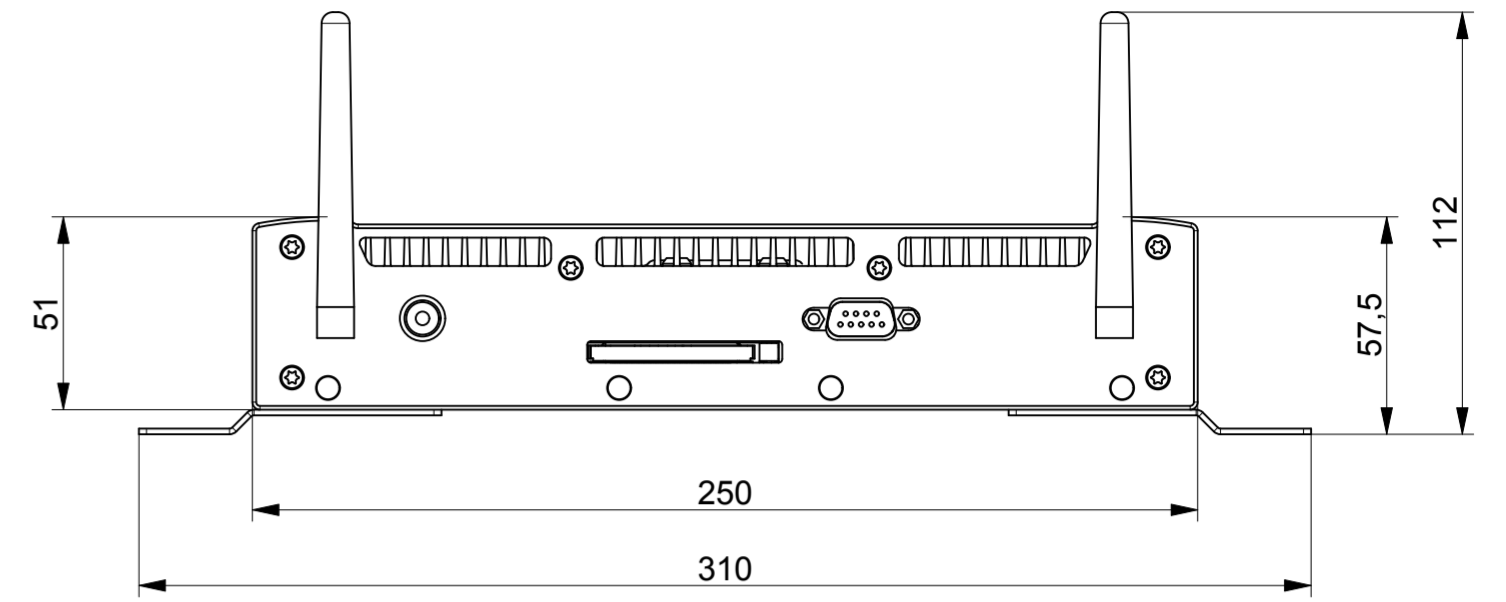
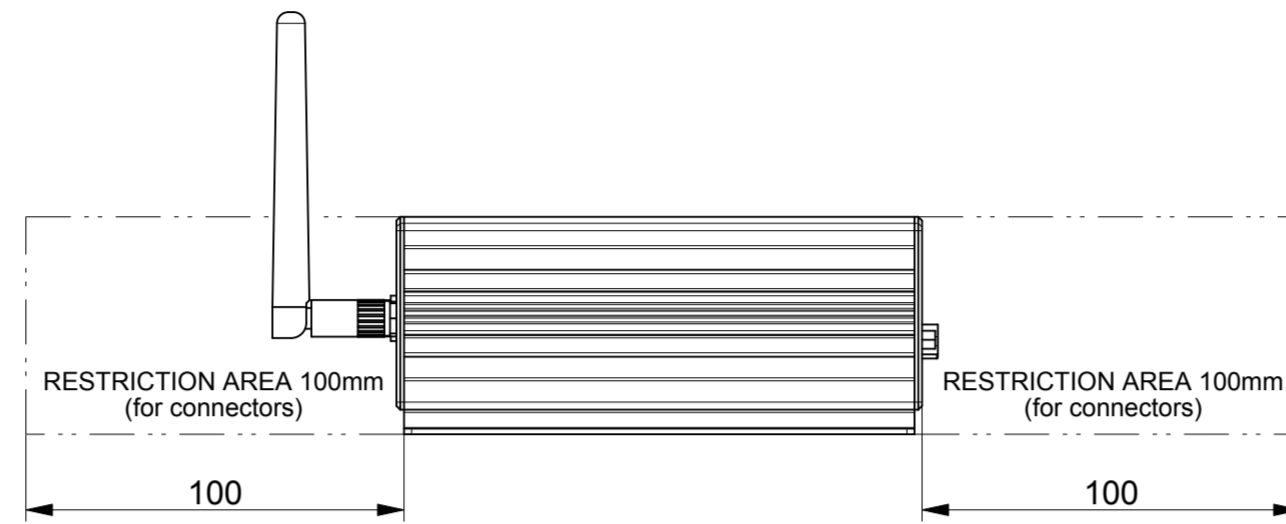
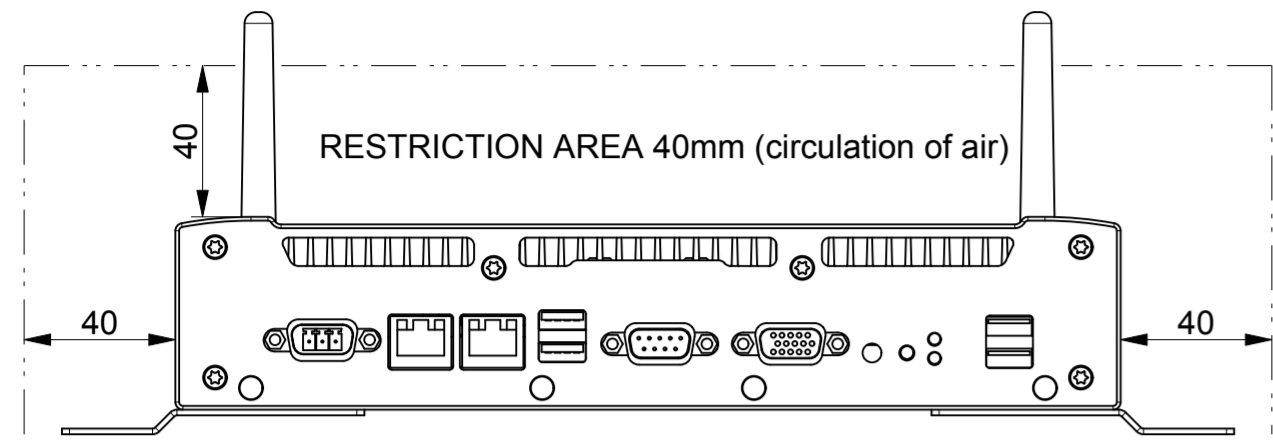
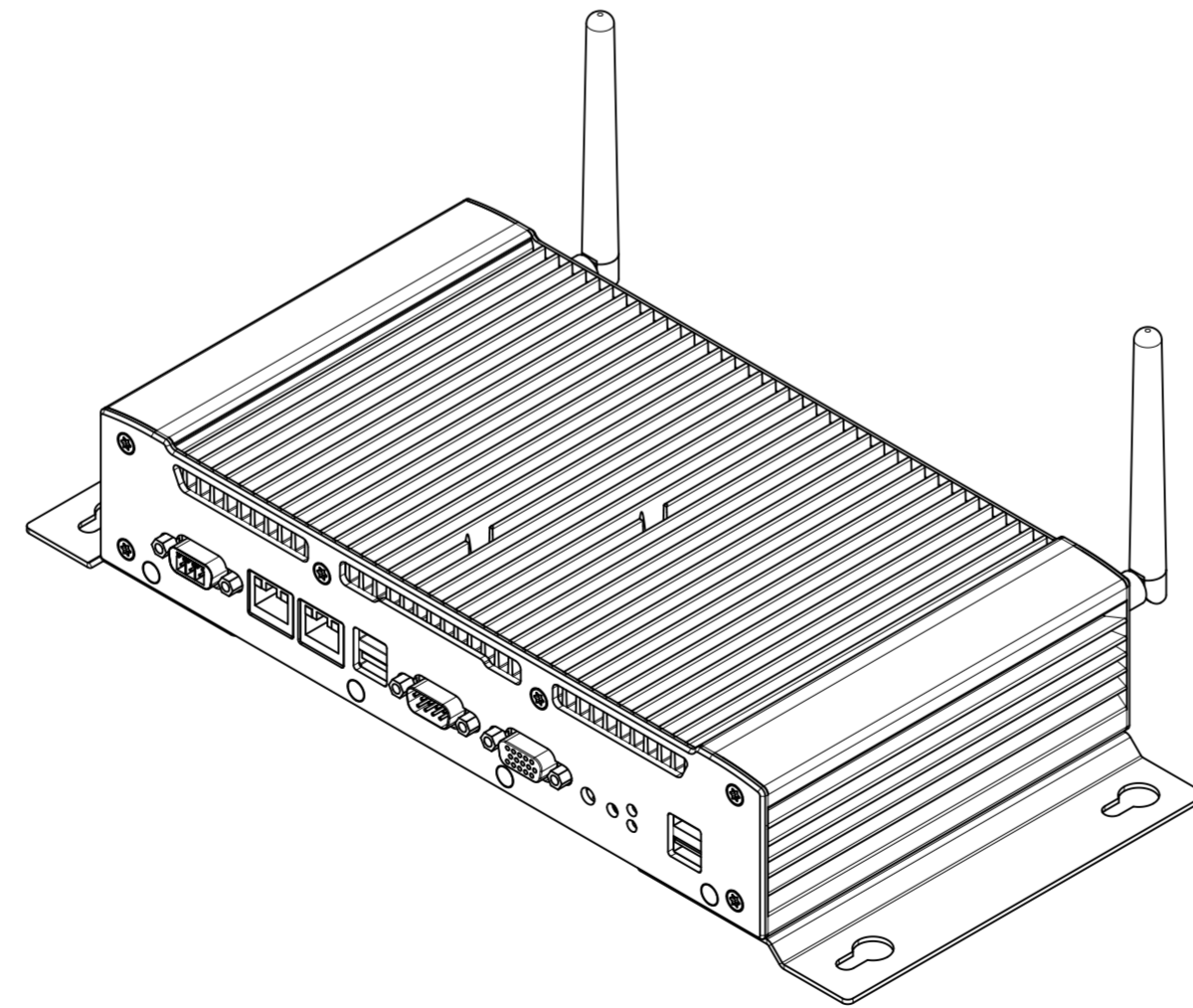
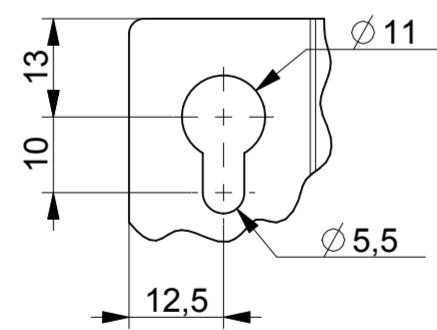


Option with Mounting Rails



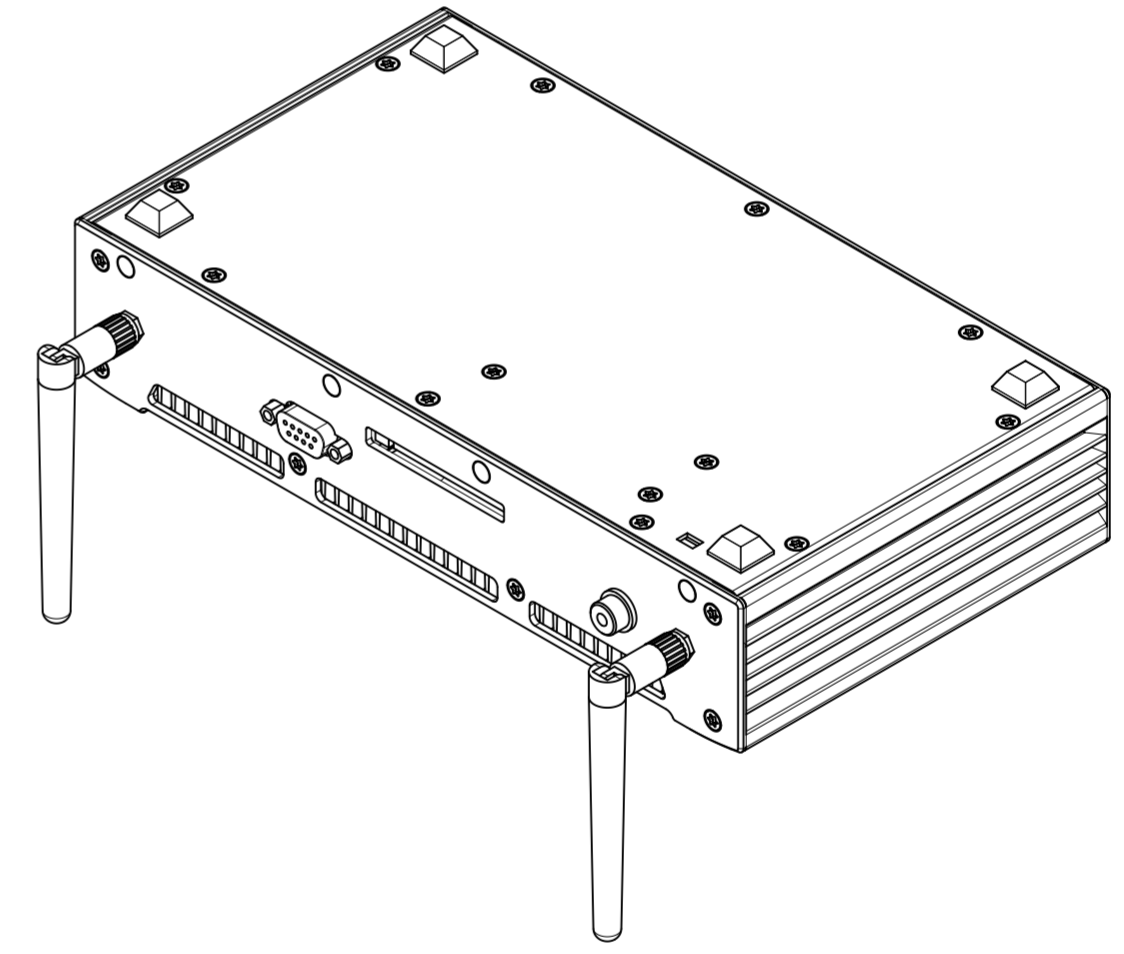
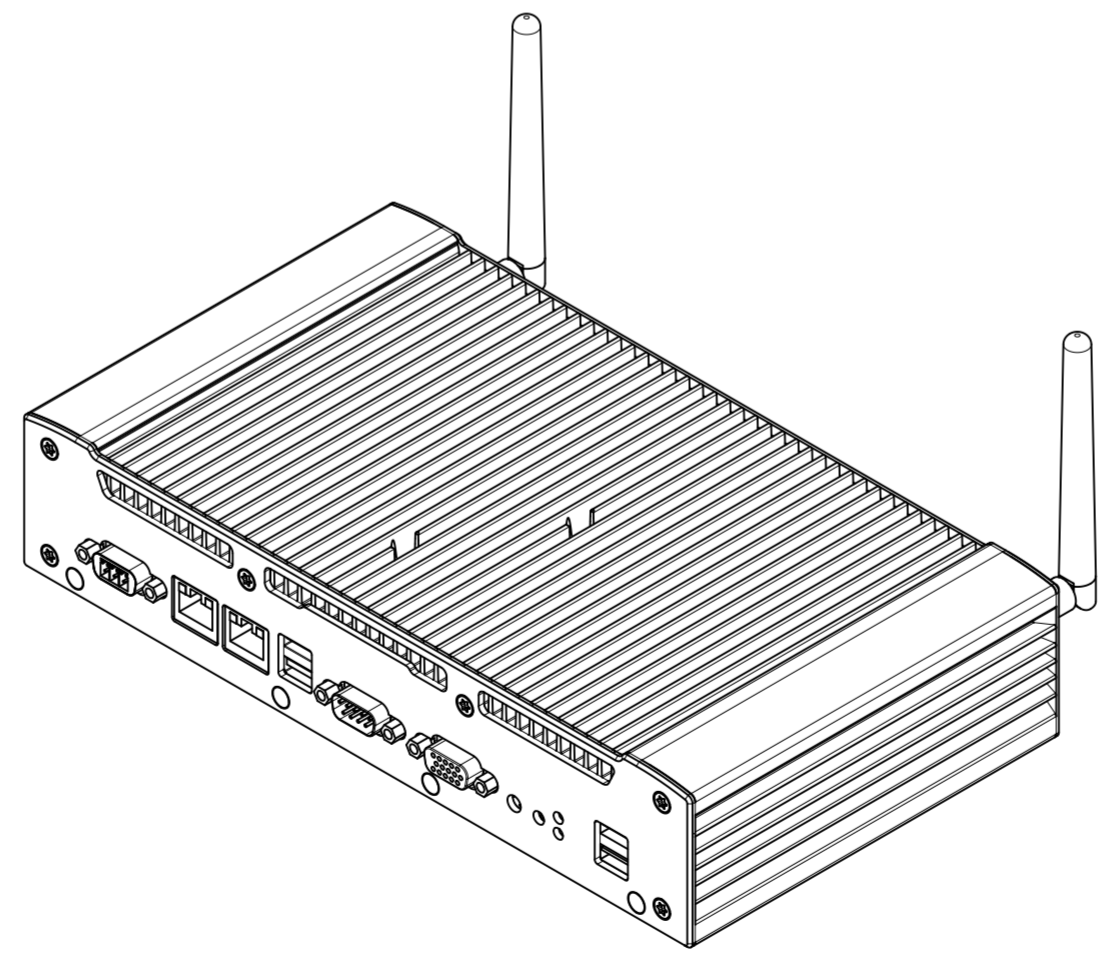
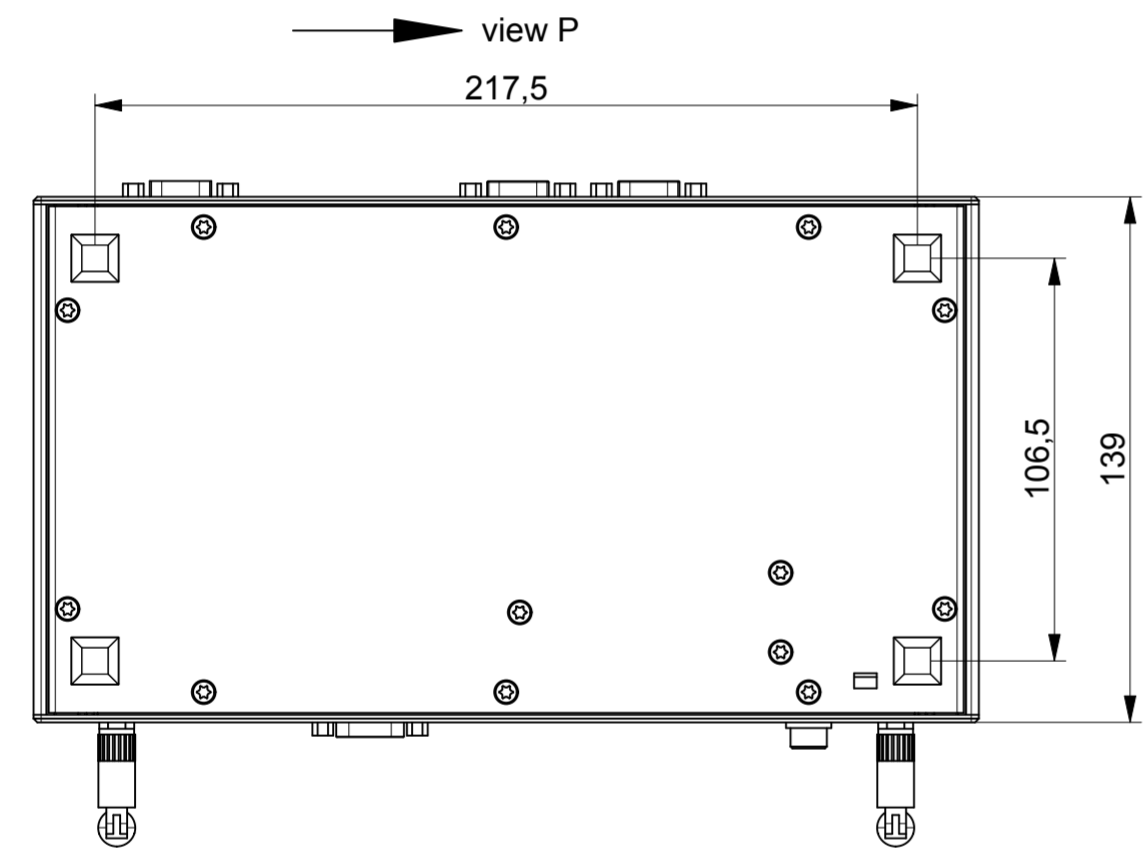
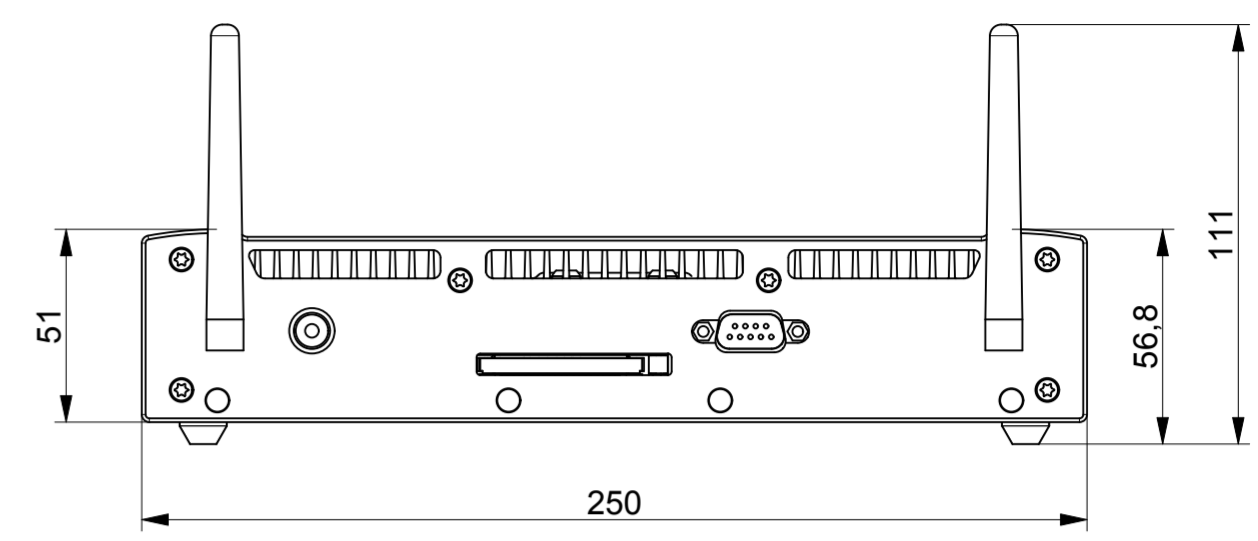
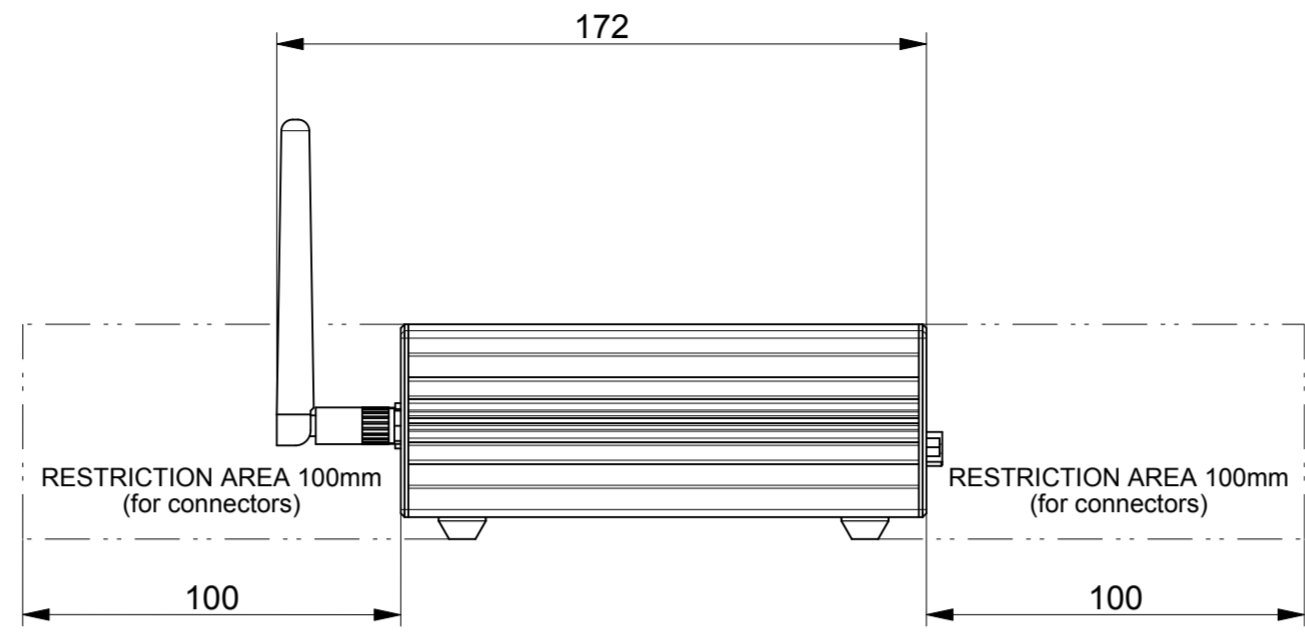
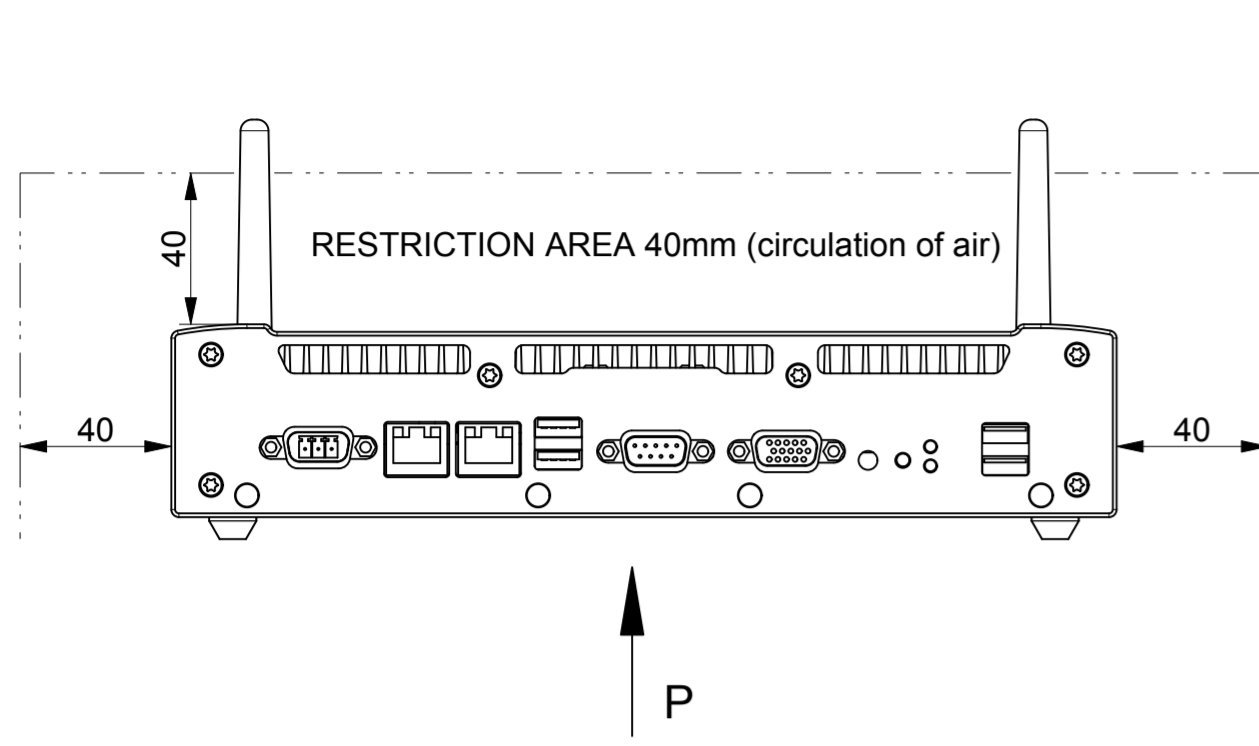
DETAIL A
SCALE 1:1



NOTES:
 - PC BOX TO BE FREE OF GREASE AND OILS.
 - PC BOX TO BE PACKAGED TO PREVENT DAMAGE IN SHIPPING, HANDLING AND STORAGE.
 - ALL HOMOGENEOUS MATERIALS CONFORM TO THE EU DIRECTIVE 2002/95/EC (RoHS) (ACTUAL VERSION INCL. MAX. CONCENTRATION VALUES)

Schutzvermerk nach DIN 34 beachten ! Regard proprietary right according to DIN 34 !		Masse ohne Toleranzangabe Dim. without tolerance descrpt.	DIN 6 Teil 1 Part 1	Masstab/Scale: 1:2	Art./Part No.: xxxx-xxxx
				Halbzeug, Werkstoff, Oberfläche/Semifinished product, Material, Surface finish	
		Datum/Date	Name	Benennung/Title	
		Bearb./Draw	25.01.2011	G. Petrov	
		Gespr./Chkd.			
		Ges./Notice			
		Order	25.01.2011	T. Panik	
				Zeichng./Drawing Nr.:	
				10039-701-01 A	
				Blatt/Pg	
				1/2	
				A2	
Index	Änderung/Change	Datum/Date	Name	Order	CAD No.: 10039-701-01
				Masse/Weight [Kg]: 0,000	

Option with Rubber Feets



NOTES:
 - PC BOX TO BE FREE OF GREASE AND OILS.
 - PC BOX TO BE PACKAGED TO PREVENT DAMAGE IN SHIPPING, HANDLING AND STORAGE.
 - ALL HOMOGENEOUS MATERIALS CONFORM TO THE EU DIRECTIVE 2002/95/EC (RoHS) (ACTUAL VERSION INCL. MAX. CONCENTRATION VALUES)

Schutzvermerk nach DIN 34 beachten ! Regard proprietary right according to DIN 34 !		Masse ohne Toleranzangabe Dim. without tolerance descrpt.	DIN 6 Teil 1 Part 1	Masstab/Scale: 1:2	Art./Part No.: xxxx-xxxx
				Halbzeug,Werkstoff,Oberfläche/Semifinished product,Material,Surface finish	
		Datum/Date	Name	Benennung/Title	
		Bearb./Draw.	G.Petrov	CB 511 Box Concept	
		Gepr./Chkd.			
		Ges./Notice		Zeichng./Drawing Nr.:	
		Order	20.03.2011 T.Panik	10039-701-01 A	
				Blatt/Pg. 2/2 A2	
Index	Änderung/Change	Datum/Date	Name	Order	CAD No.: 10039-701-01
				Masse/Weight [Kg]	0,000