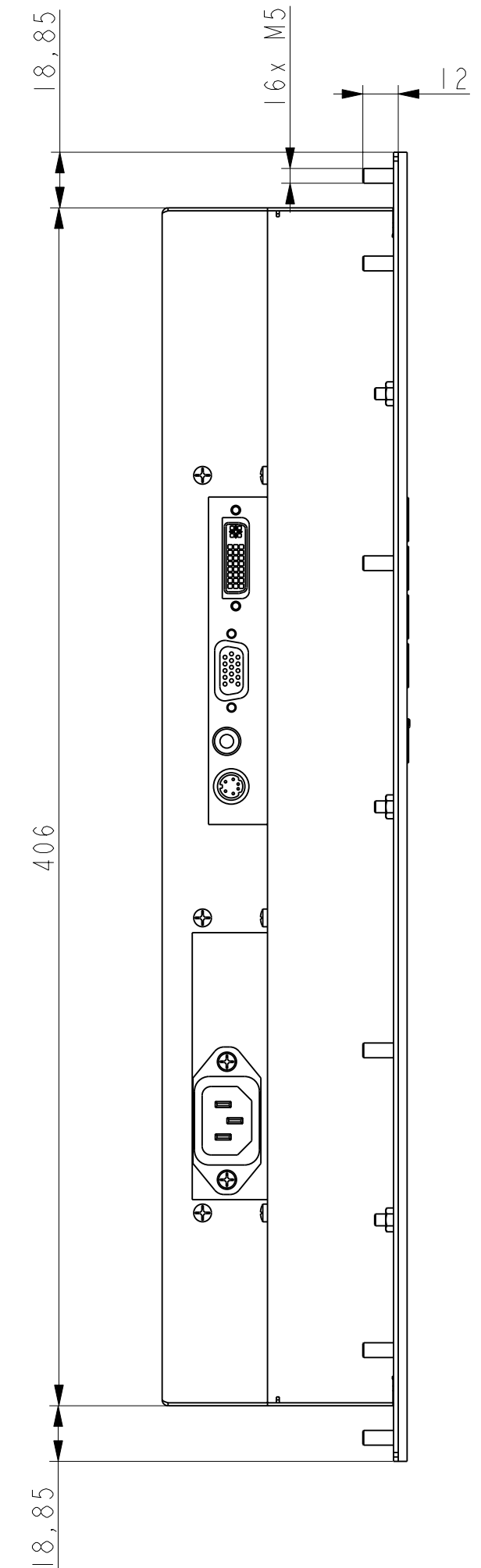
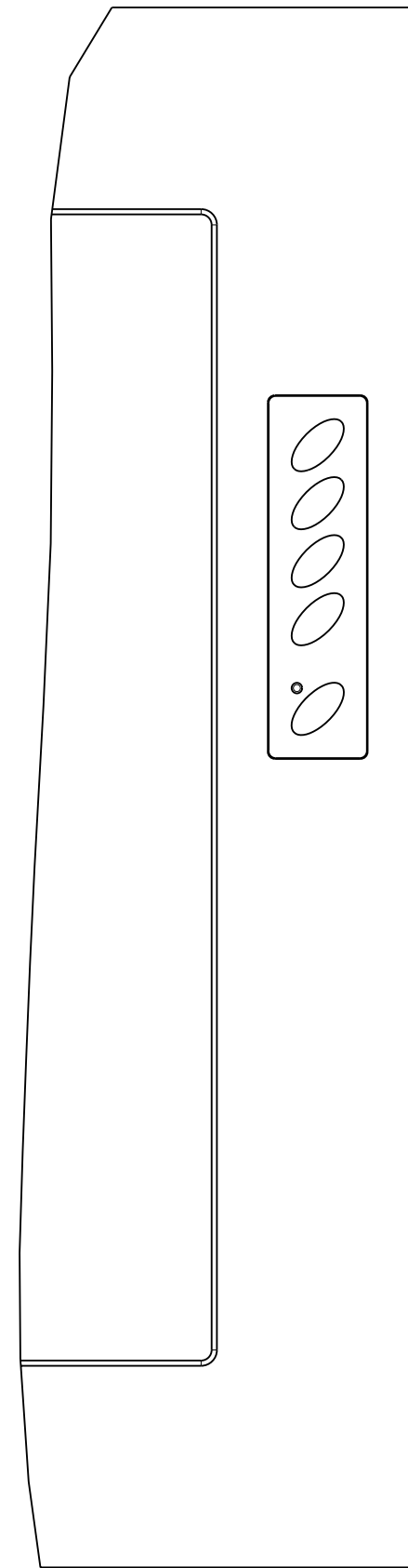


OPTIONAL KEYBOARD



Schutzvermerk nach DIN 34 beachten ! Regard proprietary right according to DIN 34 !				Masse ohne Toleranzangabe Dim. without tolerance descrpt. ISO 2768-m		DIN 6 Teil 1 Part 1		Massstab/Scale: 1:2		Art./Part No.	
								Halbzeug,Werkstoff,Oberfläche/Semifinished product,Material,Surface finish			
				Datum/Date		Name		Benennung/Title			
				Bearb./Draw. 31.11.07		P. Kuncil		<b>Flatmon KFM21_e Panelmount</b>			
				Ges./Notice				Outline dimensions			
				Order				Zeichng./Drawing Nr.:			
								376-099-05-000A			
								Blatt/Pg.			
								1/2			
								A2			
								Masse/Weight (kg): 91.399366,208			
								CAD No.: 376-099-05-000_KFM21_OUTLINE.rvt			

