

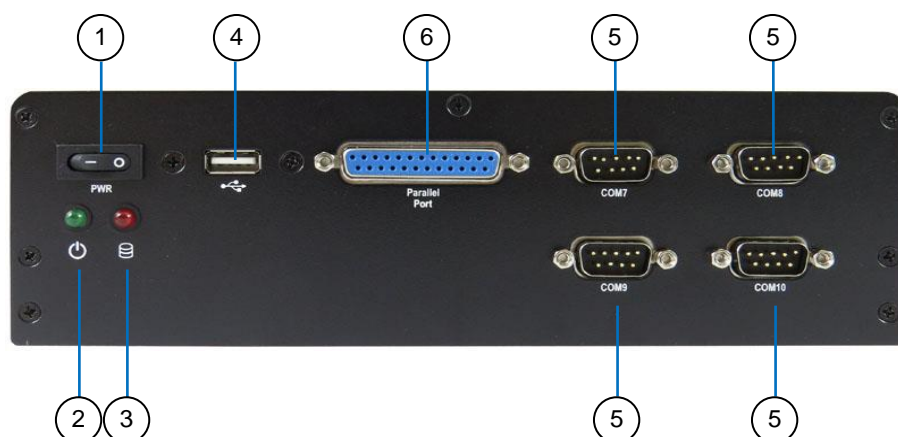
▶ KBox M-100 - QUICK INSTALLATION GUIDE

Thank you for purchasing the Kontron KBox M-100 fanless box PC. This document provides information to allow you to quickly install this product.

Packing Checklist

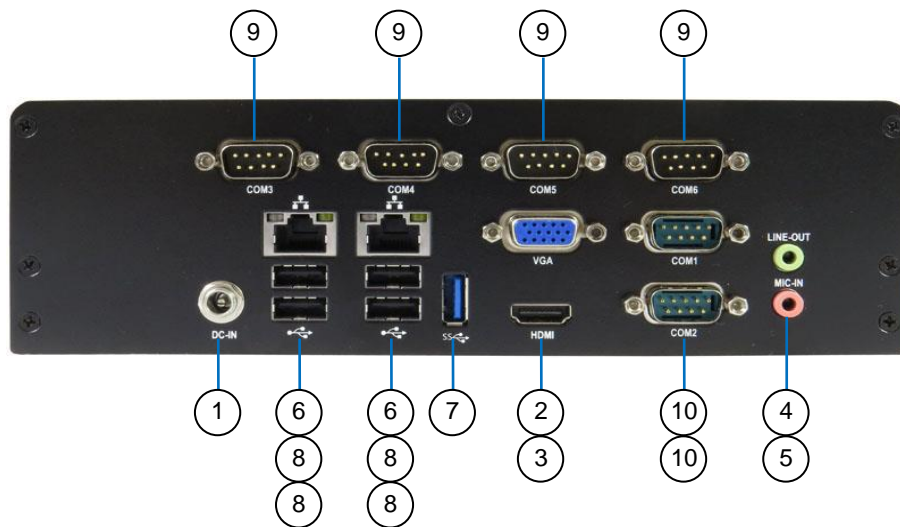
1. Take the KBox M-100 out of the packing box and check if the unit is properly secure in the plastic bag.
2. Check the contents of the carton box: (*: optional)
 - ▶ 1x KBox M-100
 - ▶ 1x Power Adapter
 - ▶ 1x Power Cord*
 - ▶ Memory Module(s)* (It may be pre-installed in the system depending on ordered configuration.)
 - ▶ mSATA SSD* (It may be pre-installed in the system depending on ordered configuration.)
 - ▶ Wall Mounting Kit*

Front I/O Panel



- 1 Power Switch
- 2 Power LED
- 3 HDD LED
- 4 USB 2.0
- 5 RS232
- 6 Parallel Port

Rear I/O Panel



- 1 DC Jack
- 2 VGA
- 3 HDMI
- 4 Line-Out
- 5 Mic-In
- 6 GbE
- 7 USB 3.0
- 8 USB 2.0
- 9 RS232
- 10 RS232/422/485