

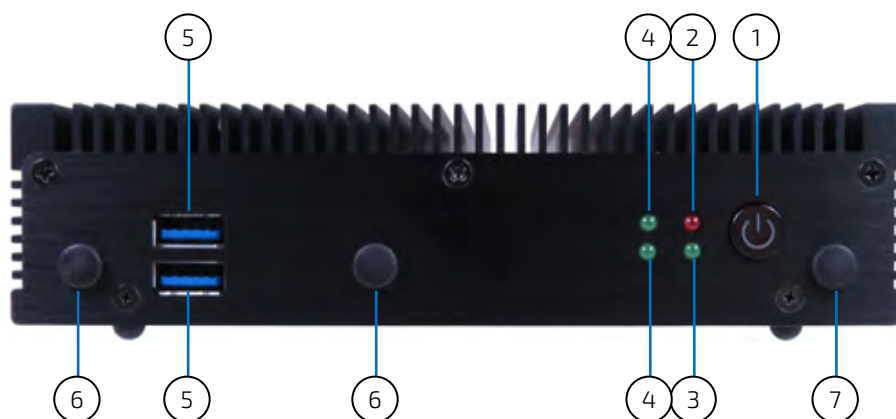
▶ KBox N-200 SERIES - QUICK INSTALLATION GUIDE

Thank you for purchasing the Kontron KBox N-200 Series network security appliance. This document provides information to allow you to quickly install this product.

Packing Checklist

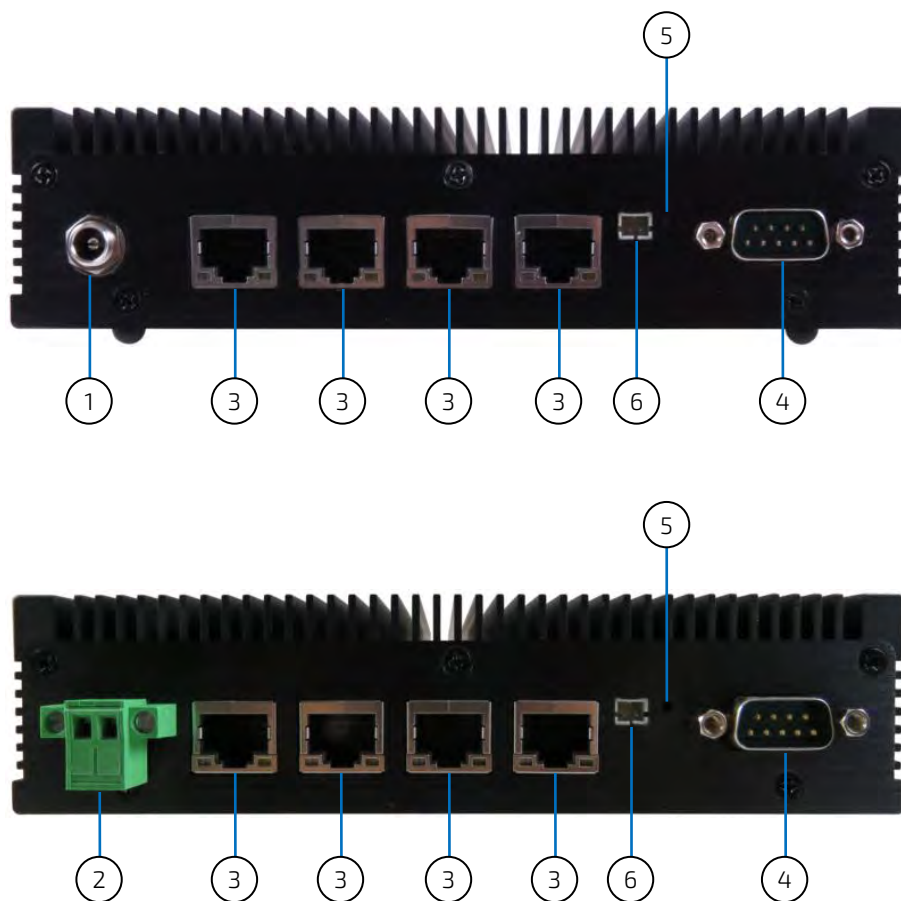
1. Take the KBox N-200 Series out of the packing box and check if the unit is properly secure in the plastic bag.
2. Check the contents of the carton box: (*: optional)
 - ▶ 1x KBox N-200 Series
 - ▶ 1x Power adapter (The attached DC plug connector may be either DC jack or Phoenix plug terminal depending on ordered configuration. The Phoenix plug terminal may be separated from the power adapter depending on ordered configuration if any.)
 - ▶ 1x Power cord (plug type depending on country)
 - ▶ Memory module* (It may be pre-installed in the system depending on ordered configuration.)
 - ▶ mSATA SSD* (It may be pre-installed in the system depending on ordered configuration.)
 - ▶ mPCIe expansion card* (It may be pre-installed in the system depending on ordered configuration.)
 - ▶ M.2 Key B SSD* (It may be pre-installed in the system depending on ordered configuration.)
 - ▶ M.2 Key B expansion card* (It may be pre-installed in the system depending on ordered configuration.)
 - ▶ M.2 Key M SSD* (It may be pre-installed in the system depending on ordered configuration.)
 - ▶ Antenna(s)*
 - ▶ VESA mounting kit*

Front I/O Panel



- 1 Power Button with LED
- 2 Storage LED
- 3 Wireless LED
- 4 User-defined LED
- 5 USB 3.0
- 6 Wi-Fi Antenna Port
- 7 3G / 4G Antenna Port

Rear I/O Panel



- 1 DC-In Jack
- 2 Phoenix DC-In Connector
- 3 GbE

- 4 RS232
- 5 Reset Button
- 6 Wafer for External Power Switch