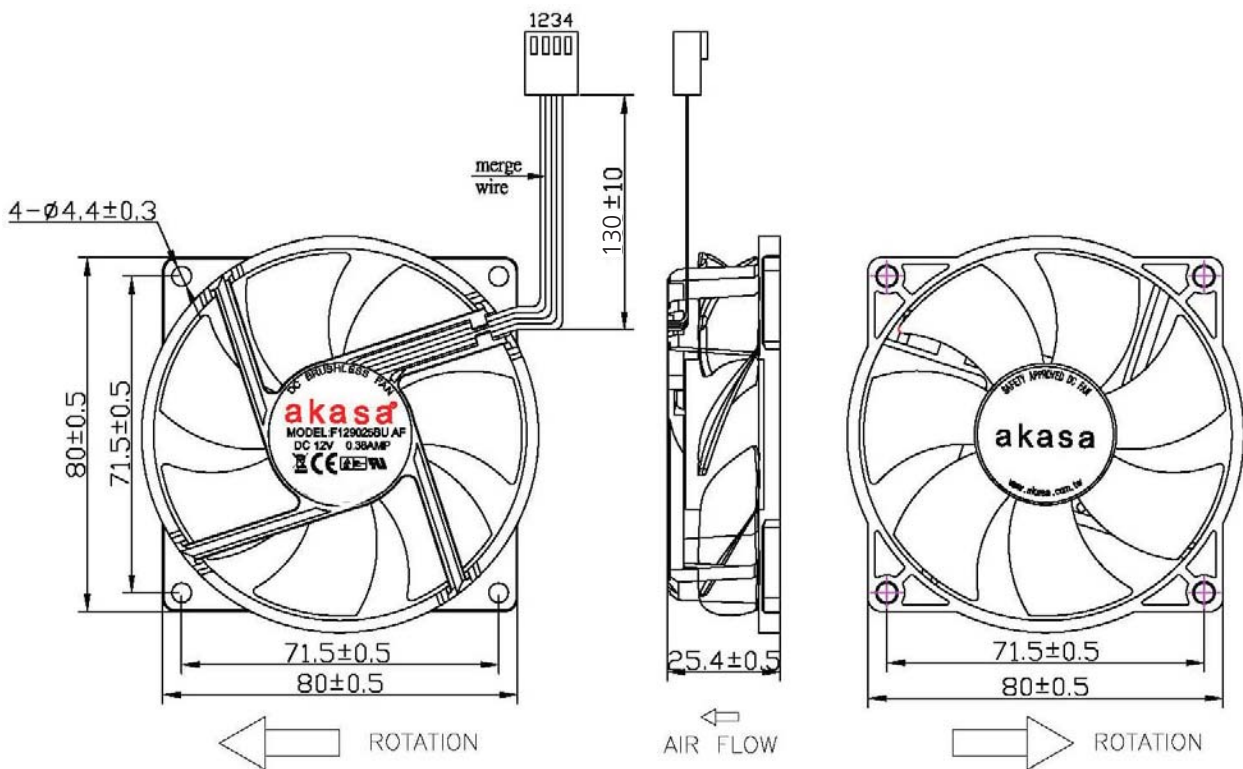


Fan Dimension Drawing



NOTES:

1. LEAD WIRE UL 1007 #26AWG OR EQUIVALENT
PIN 1: BLACK WIRE---(-)
PIN 2: YELLOW WIRE---(+)
PIN 3: GREEN WIRE---(SIGNAL)
PIN 4: BLUE WIRE---(PWM INPUT)
2. HOUSING: A2543-4P OR EQUIVALENT

UNIT IN : MM

PRODUCT SPECIFICATION

A. General Specification

(Item)		(Specification/Condition)
01	Part No.	AK-955A-BV2
02	Outline	94.8x94.8x62mm
03	Weight	476 g

B. Fan Specification

(Item)		(Specification/Condition)
01	Part No.	F129025BU-AF
02	Bearing System	Two Ball Bearing
03	Outline Dimension	92x92x25mm(8cm Pitch)
04	Rated Voltage	DC 12 V
05	Operating Range	DC 11.4-12.6 V
06	Rated Current	Duty cycle=100%=0.38A Duty cycle=0-20%=0.10A
07	Power Consumption	Duty cycle=100%=4.56W Duty cycle=0-20%=1.20W
08	Speed	Duty cycle=100% =3400RPM \pm 10%RPM Duty cycle=0-20% 500RPM \pm 400RPM
09	Max. Airflow	Duty cycle=100%=40.90 CFM(ft ³ /min) Duty cycle=0%=5.77CFM (ft ³ /min)
10	Max. Static Pressure	Duty cycle=100%=3.81 mm H ₂ O Duty cycle=0%=0.08 mm H ₂ O
11	Noise Level	Duty cycle=100%=36 dB(A)(Max. 39dB(A)) Duty cycle=0%=19dB(A) (Max. 21dB(A))
12	Life	70000/hrs 40°C
13	No. Of Blade	7 Blades
14	No. Of Pole	4 Poles
15	Weight	63 g
16	Rotating Direction	Clockwise From Label Side
17	Safety Approval	UL; TUV; CE
18	Tolerance	\pm 10%
19	Color	Black

C. Heatsink Specification

(Item)		(Specification/Condition)
01	Dimension	87.2x85.2x34.8mm
02	Material	AL6063-T5 sink with copper insert

D. Thermal Interface Specification

(Item)		(Specification/Condition)
01	Part No.	STC-640
02	Package form	30x30mm Pre Screen Apply
03	Color	Gray