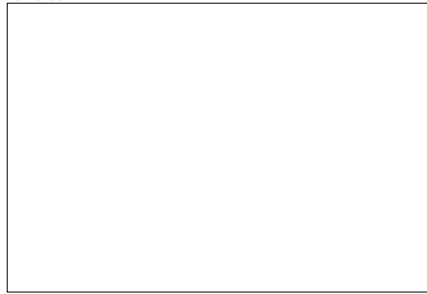
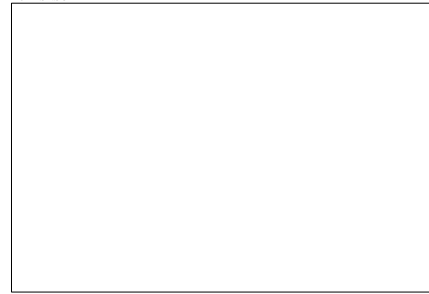


	1	2	3	4	5	6	7	8
D								
C								
B								
A								
	1	2	3	4	5	6	7	8

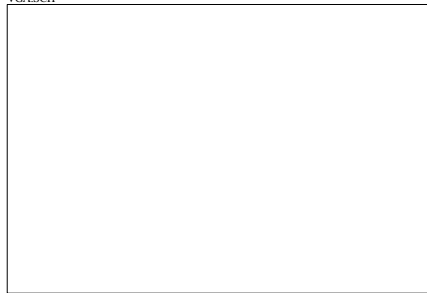
Name  
PORTS1.SCH



Name  
PORTS2.SCH

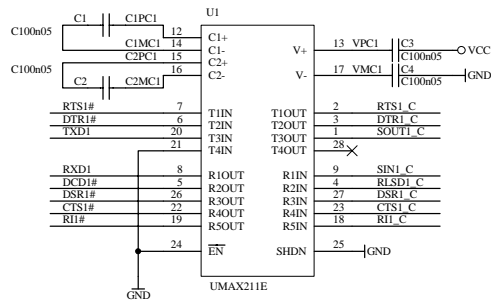
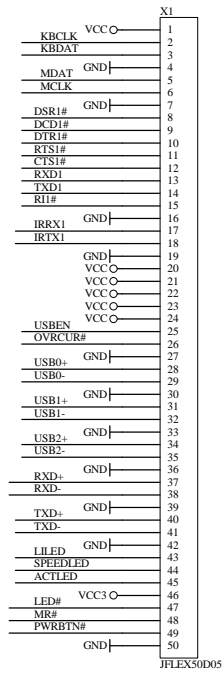


Name  
VGASCH

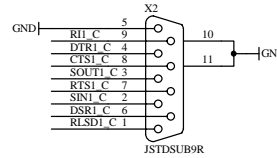


Title <i>uflat.mgx</i>		Dr. Berghaus GmbH Marscherstieg 5-7 D- 22081 Hamburg Tel. (49) 40-298103-3 Fax. (49) 40-298103-49	
Size: A3	Number:	Revision: 1.0	
Date: 27-Nov-2002	Time: 15:26:38	Sheet 1 of 4	
Author: AS			
File: filename.no_path			

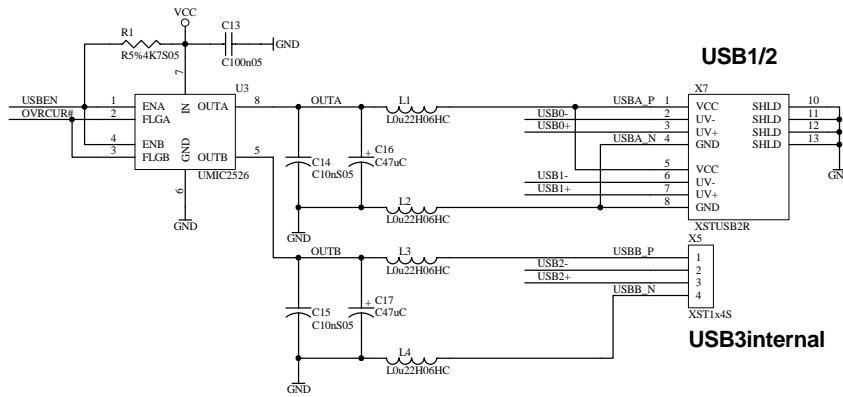
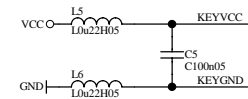
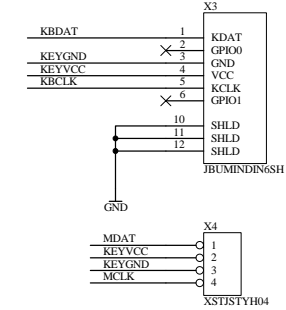
### PORTS 1



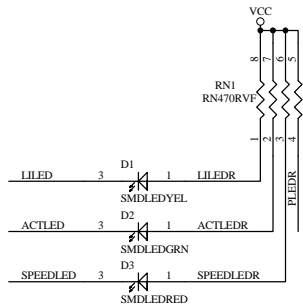
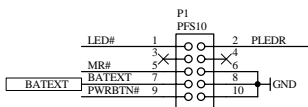
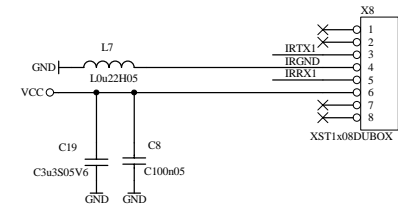
### COM1



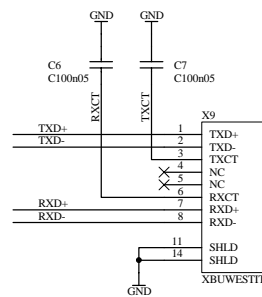
### KEYBOARD/MOUSE



### IrDA



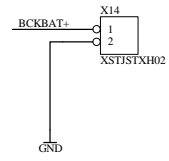
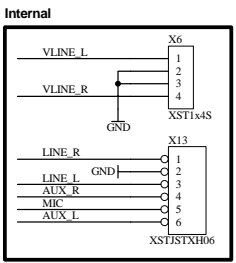
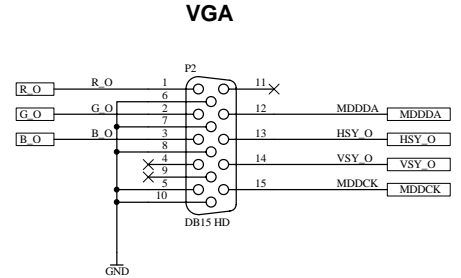
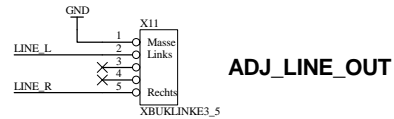
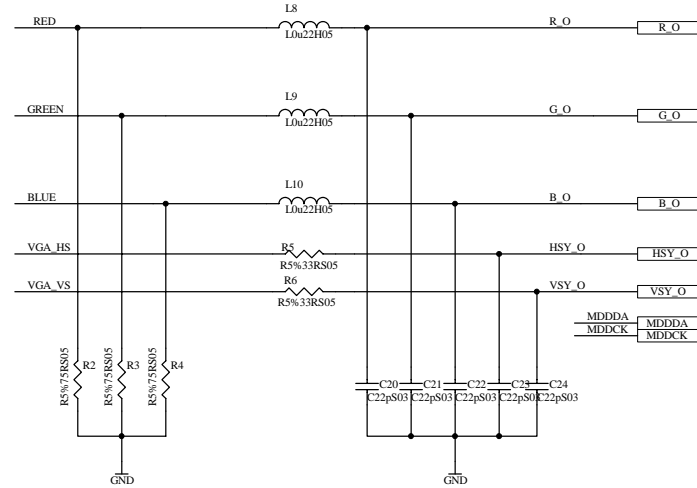
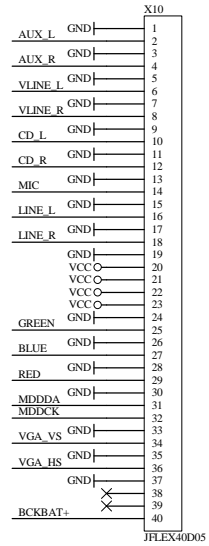
### ETHERNET



**DR BERGHAUS**

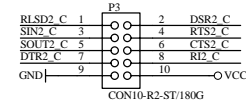
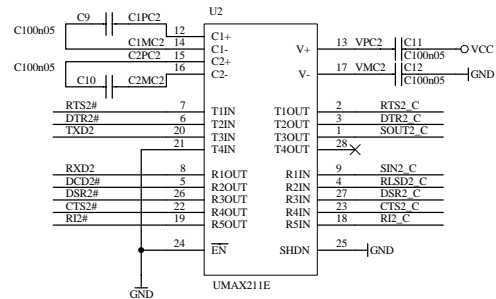
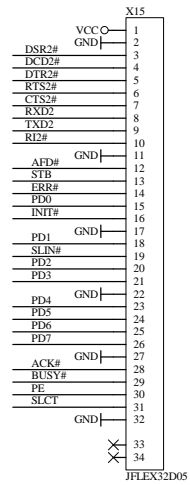
Title <b>ePanel adap</b>		Dr. Berghaus GmbH Marschertstieg 5-7 D- 22081 Hamburg Tel. (49) 40-298103-3 Fax. (49) 40-298103-49	
Size: A3	Number:	Revision: 1.00	
Date: 27-Nov-2002	Time: 15:26:38	Sheet 2 of 4	Author: LT
File: E:\ePanel_adap\Panel_adap.DDB - Documents\PORTS1.Sch			

# VGA / SOUND

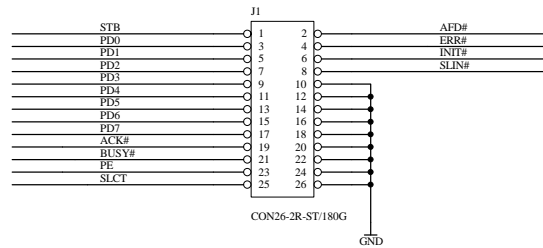


<b>DR BERGHAUS</b>		
Title <b>ePanel adap</b>		Dr. Berghaus GmbH Marscherstieg 5-7 D-22081 Hamburg Tel. (49) 40-298103-3 Fax. (49) 40-298103-49
Size: A3	Number:	Revision: 1.00
Date: 27-Nov-2002	Time: 15:26:39	Sheet 3 of 4
Author: LT		
File: E:\ePanel_adap\Panel_adap.DDB - Documents\VGA.Sch		

## PORTS 2



## LPT



Title <b>ePanel adap</b>		Dr. Berghaus GmbH Marschermstieg 5-7 D-22081 Hamburg Tel. (49) 40-298103-3 Fax. (49) 40-298103-49	
Size: A3	Number:	Revision: 1.00	
Date: 27-Nov-2002	Time: 15:26:40	Sheet 4 of 4	Author: LT
File: E:\ePanel_adap\Panel_adap.DDB - Documents\PORTS2.Sch			